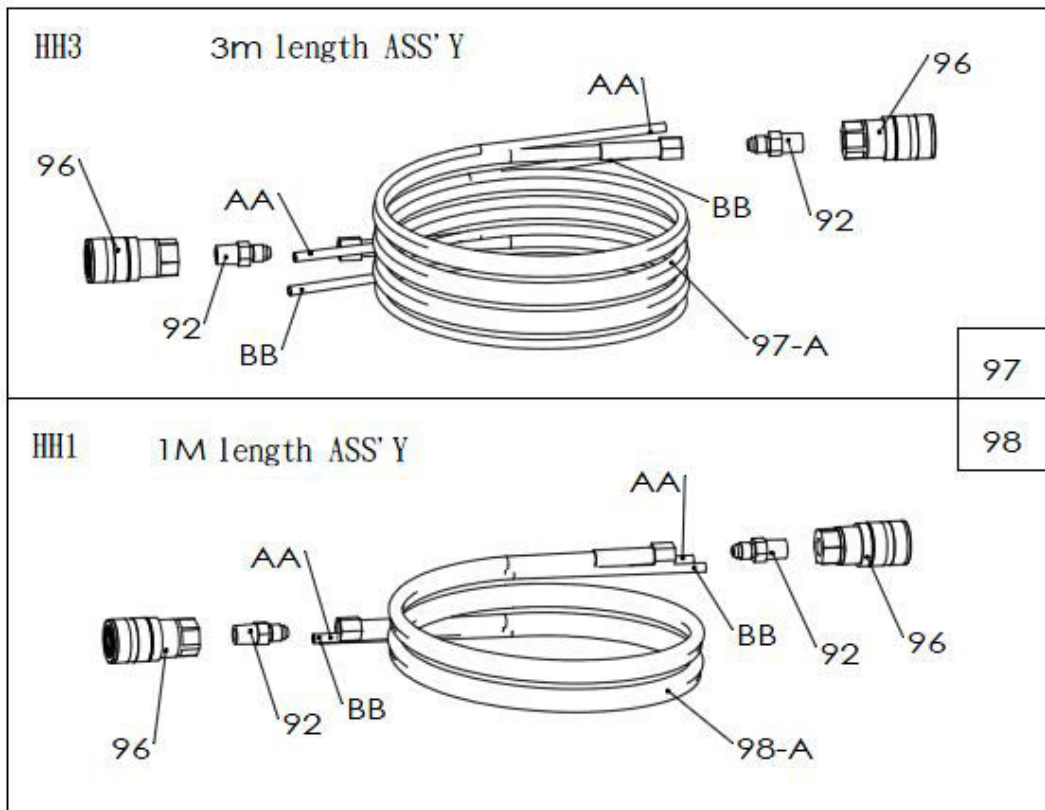
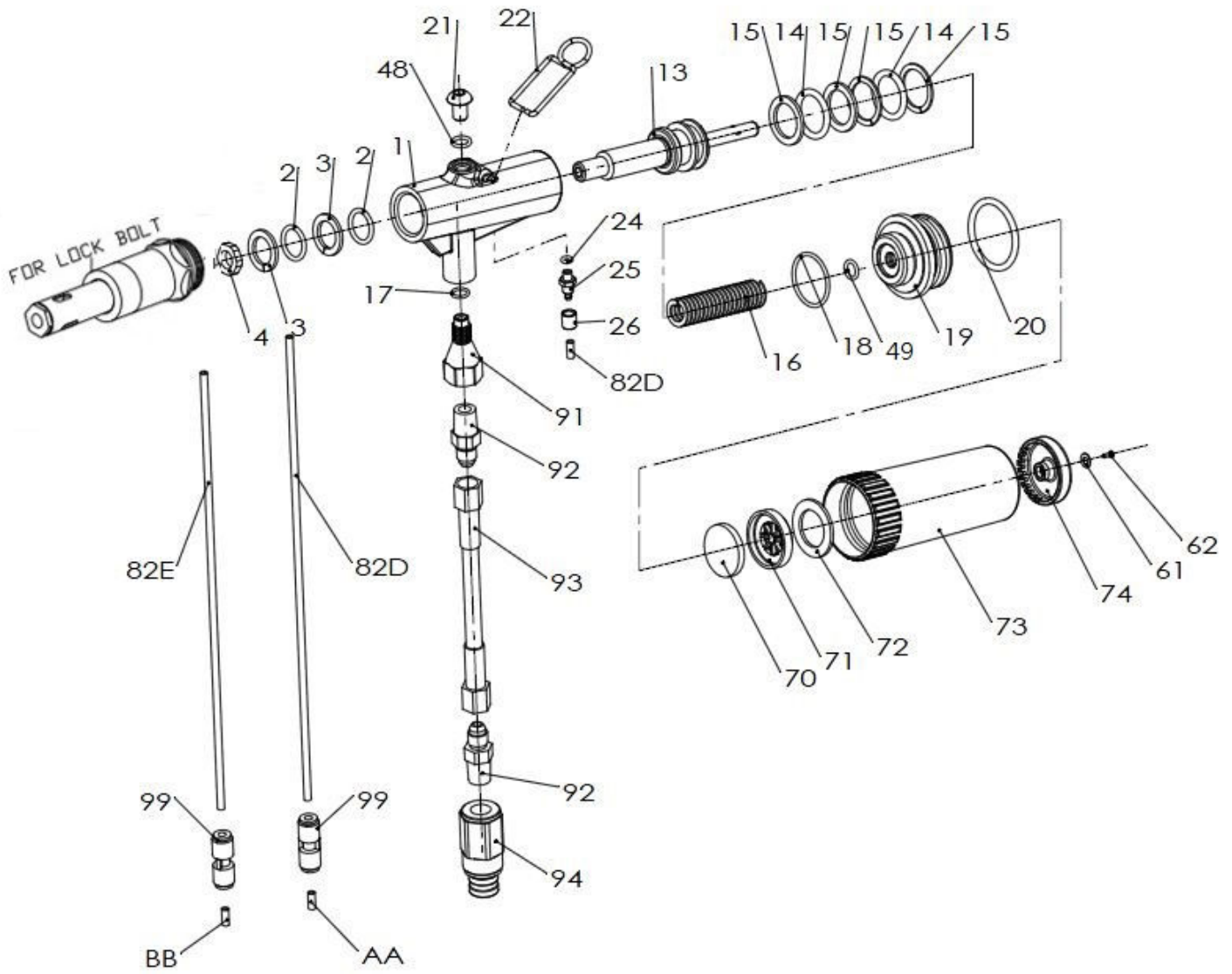
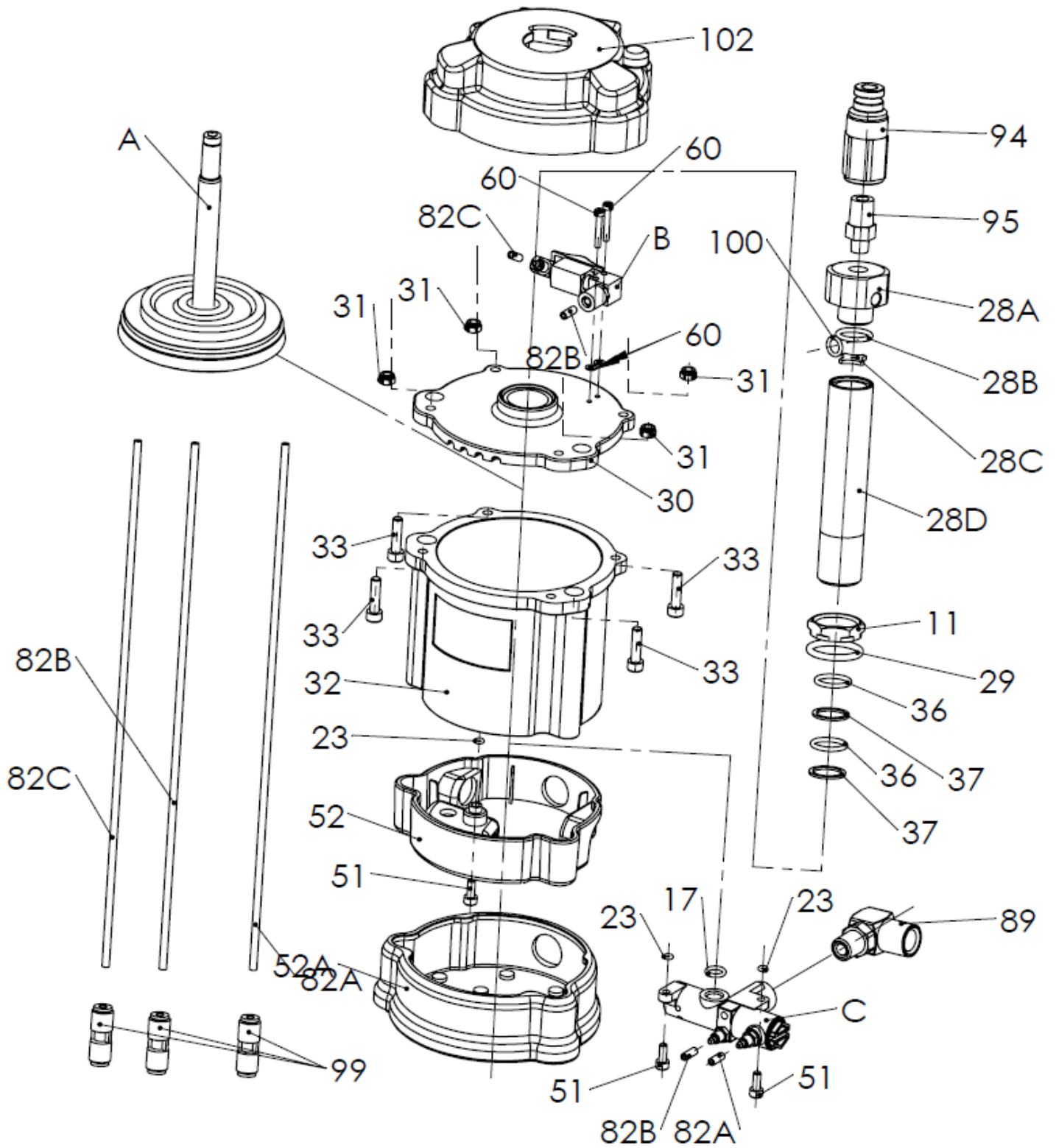


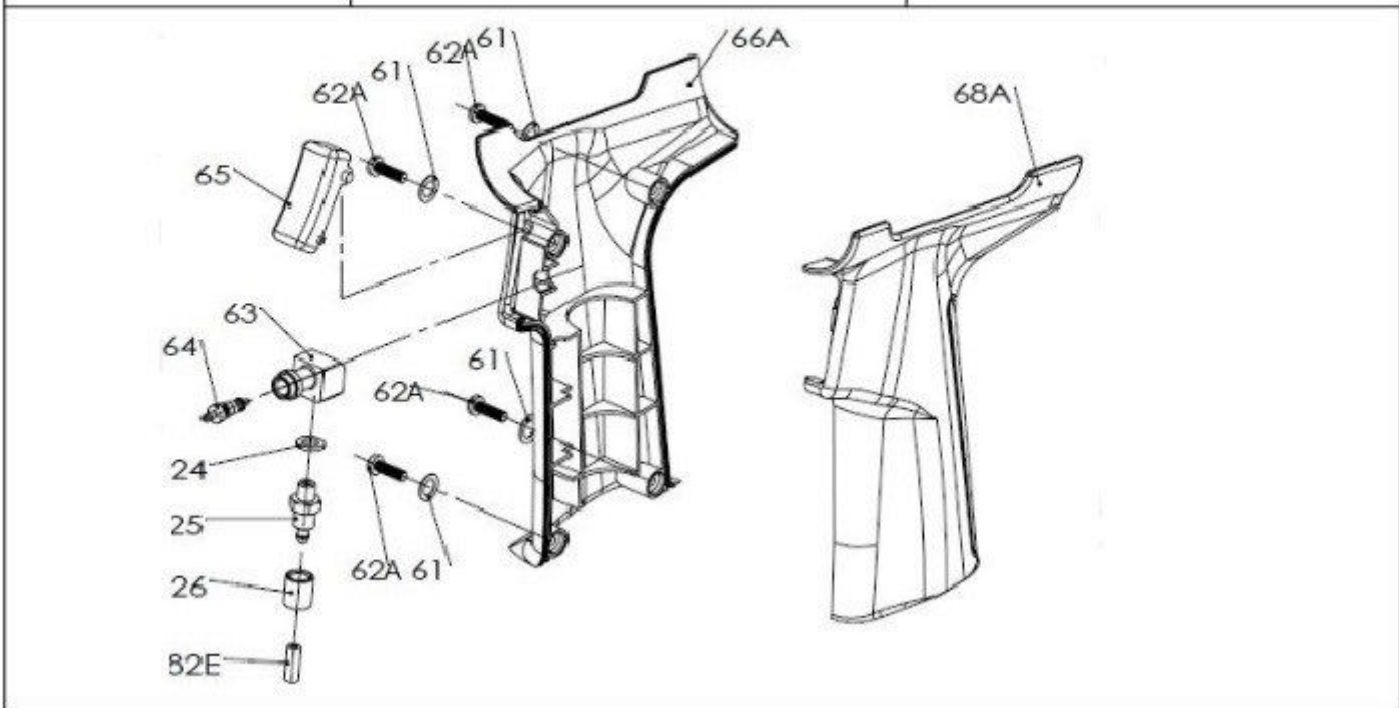
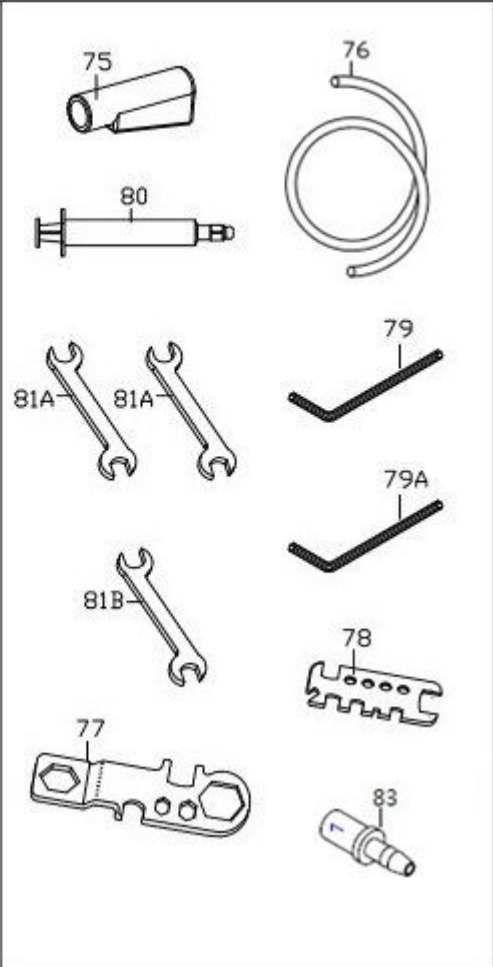
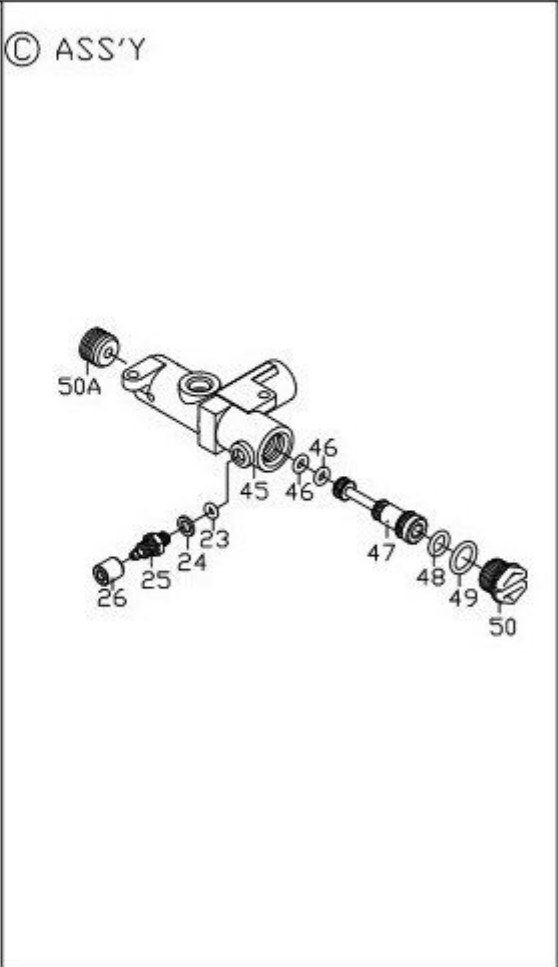
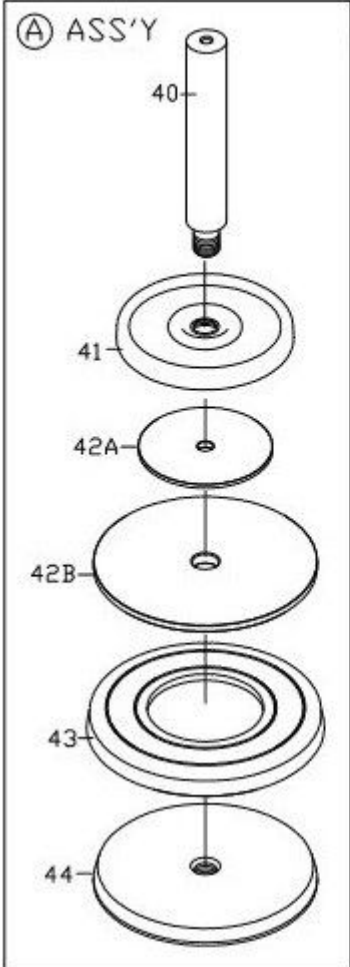
ZT2420HSN /ZT2420HS /ZT2420HSK
Split Type Air Hydraulic Lock Bolt Tool



ZT2420HSN /ZT2420HS /ZT2420HSK
Split Type Air Hydraulic Lock Bolt Tool

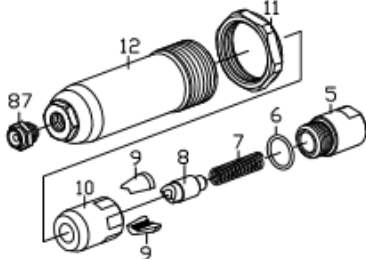
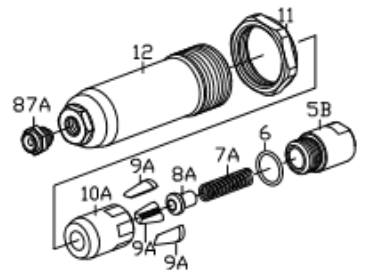
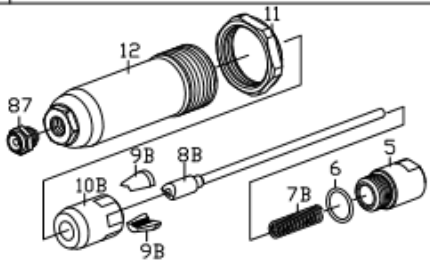
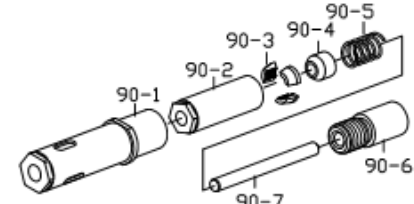
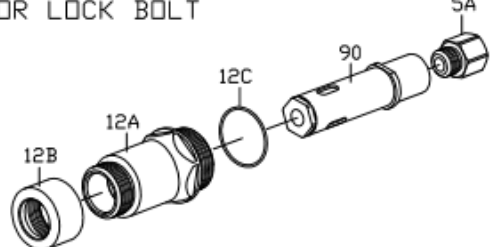
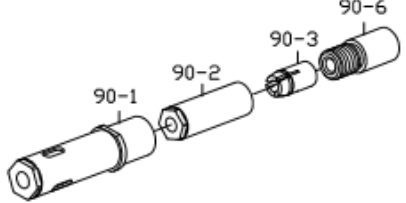
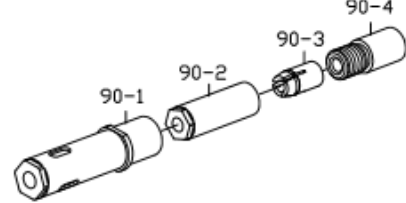
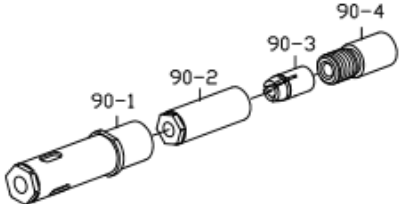
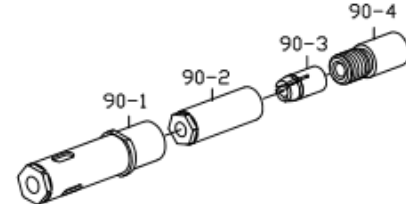


ZT2420HSN /ZT2420HS /ZT2420HSK
Split Type Air Hydraulic Lock Bolt Tool



ZT2420HSN /ZT2420HS /ZT2420HSK

Split Type Air Hydraulic Lock Bolt Tool

<p>2318RS FOR RIVET 4.8mm,6.4mm(3/16",1/4")</p> 	<p>2318RS-8 FOR RIVET 8mm(5/16")</p> 																																														
<p>2318RS-4 FOR RIVET 3.2mm,4.0mm(1/8",5/32")</p> 	<p>FOR #90 ASS'Y</p> <table border="1" style="width: 100%; border-collapse: collapse;"> <tr> <td>TYPE</td> <td>202HB2</td> <td>FOR 1/4" BOM ASS'Y</td> </tr> </table>  <table border="1" style="width: 100%; border-collapse: collapse;"> <thead> <tr> <th>INDEX</th> <th>PART#</th> <th>DESCRIPTION</th> <th>QT'Y</th> </tr> </thead> <tbody> <tr> <td>90-1</td> <td>202B1</td> <td>SWAGING ANVIL</td> <td>1</td> </tr> <tr> <td>90-2</td> <td>202HC12</td> <td>COLLET</td> <td>1</td> </tr> <tr> <td>90-3</td> <td>202HC13</td> <td>JAWS</td> <td>3</td> </tr> <tr> <td>90-4</td> <td>202HC14</td> <td>FOLLOWER</td> <td>1</td> </tr> <tr> <td>90-5</td> <td>202HC15</td> <td>SPRING</td> <td>1</td> </tr> <tr> <td>90-6</td> <td>202HC16</td> <td>COLLET COUPLER</td> <td>1</td> </tr> <tr> <td>90-7</td> <td>231HB17</td> <td>PINTAIL TUBE</td> <td>1</td> </tr> </tbody> </table>	TYPE	202HB2	FOR 1/4" BOM ASS'Y	INDEX	PART#	DESCRIPTION	QT'Y	90-1	202B1	SWAGING ANVIL	1	90-2	202HC12	COLLET	1	90-3	202HC13	JAWS	3	90-4	202HC14	FOLLOWER	1	90-5	202HC15	SPRING	1	90-6	202HC16	COLLET COUPLER	1	90-7	231HB17	PINTAIL TUBE	1											
TYPE	202HB2	FOR 1/4" BOM ASS'Y																																													
INDEX	PART#	DESCRIPTION	QT'Y																																												
90-1	202B1	SWAGING ANVIL	1																																												
90-2	202HC12	COLLET	1																																												
90-3	202HC13	JAWS	3																																												
90-4	202HC14	FOLLOWER	1																																												
90-5	202HC15	SPRING	1																																												
90-6	202HC16	COLLET COUPLER	1																																												
90-7	231HB17	PINTAIL TUBE	1																																												
<p>FOR LOCK BOLT</p> 	<p>FOR LOCK BOLT-90 ASS'Y</p> <table border="1" style="width: 100%; border-collapse: collapse;"> <tr> <td>A TYPE</td> <td>202HC1A</td> <td>FOR 3/16" C6L ASS'Y</td> </tr> </table>	A TYPE	202HC1A	FOR 3/16" C6L ASS'Y																																											
A TYPE	202HC1A	FOR 3/16" C6L ASS'Y																																													
<p>FOR LOCK BOLT-90 ASS'Y</p>  <table border="1" style="width: 100%; border-collapse: collapse;"> <thead> <tr> <th>INDEX</th> <th>PART#</th> <th>DESCRIPTION</th> <th>QT'Y</th> </tr> </thead> <tbody> <tr> <td>90-1</td> <td>202HC11</td> <td>SWAGING ANVIL</td> <td>1</td> </tr> <tr> <td>90-2</td> <td>202HC12</td> <td>COLLET</td> <td>1</td> </tr> <tr> <td>90-3</td> <td>202HC13A</td> <td>JAWS SET</td> <td>1</td> </tr> <tr> <td>90-6</td> <td>202HC24</td> <td>COLLET COUPLER</td> <td>1</td> </tr> </tbody> </table>	INDEX	PART#	DESCRIPTION	QT'Y	90-1	202HC11	SWAGING ANVIL	1	90-2	202HC12	COLLET	1	90-3	202HC13A	JAWS SET	1	90-6	202HC24	COLLET COUPLER	1	<p>FOR LOCK BOLT-90 ASS'Y</p> <table border="1" style="width: 100%; border-collapse: collapse;"> <tr> <td>B TYPE</td> <td>202HM1</td> <td>FOR 3/16" MAGNA-GRIP ASS'Y</td> </tr> </table>  <table border="1" style="width: 100%; border-collapse: collapse;"> <thead> <tr> <th>INDEX</th> <th>PART#</th> <th>DESCRIPTION</th> <th>QT'Y</th> </tr> </thead> <tbody> <tr> <td>90-1</td> <td>202HM11</td> <td>SWAGING ANVIL</td> <td>1</td> </tr> <tr> <td>90-2</td> <td>202HC12</td> <td>COLLET</td> <td>1</td> </tr> <tr> <td>90-3</td> <td>202HM13</td> <td>JAWS SET</td> <td>1</td> </tr> <tr> <td>90-4</td> <td>202HC24</td> <td>COLLET COUPLER</td> <td>1</td> </tr> </tbody> </table>	B TYPE	202HM1	FOR 3/16" MAGNA-GRIP ASS'Y	INDEX	PART#	DESCRIPTION	QT'Y	90-1	202HM11	SWAGING ANVIL	1	90-2	202HC12	COLLET	1	90-3	202HM13	JAWS SET	1	90-4	202HC24	COLLET COUPLER	1			
INDEX	PART#	DESCRIPTION	QT'Y																																												
90-1	202HC11	SWAGING ANVIL	1																																												
90-2	202HC12	COLLET	1																																												
90-3	202HC13A	JAWS SET	1																																												
90-6	202HC24	COLLET COUPLER	1																																												
B TYPE	202HM1	FOR 3/16" MAGNA-GRIP ASS'Y																																													
INDEX	PART#	DESCRIPTION	QT'Y																																												
90-1	202HM11	SWAGING ANVIL	1																																												
90-2	202HC12	COLLET	1																																												
90-3	202HM13	JAWS SET	1																																												
90-4	202HC24	COLLET COUPLER	1																																												
<p>FOR LOCK BOLT-90 ASS'Y</p> <table border="1" style="width: 100%; border-collapse: collapse;"> <tr> <td>C TYPE</td> <td>231HC2</td> <td>FOR 1/4" C6L ASS'Y</td> </tr> </table>  <table border="1" style="width: 100%; border-collapse: collapse;"> <thead> <tr> <th>INDEX</th> <th>PART#</th> <th>DESCRIPTION</th> <th>QT'Y</th> </tr> </thead> <tbody> <tr> <td>90-1</td> <td>202HC21</td> <td>SWAGING ANVIL</td> <td>1</td> </tr> <tr> <td>90-2</td> <td>202HC12</td> <td>COLLET</td> <td>1</td> </tr> <tr> <td>90-3</td> <td>202HC23</td> <td>JAWS SET</td> <td>1</td> </tr> <tr> <td>90-4</td> <td>231HC24</td> <td>COLLET COUPLER</td> <td>1</td> </tr> </tbody> </table>	C TYPE	231HC2	FOR 1/4" C6L ASS'Y	INDEX	PART#	DESCRIPTION	QT'Y	90-1	202HC21	SWAGING ANVIL	1	90-2	202HC12	COLLET	1	90-3	202HC23	JAWS SET	1	90-4	231HC24	COLLET COUPLER	1	<p>FOR LOCK BOLT-90 ASS'Y</p> <table border="1" style="width: 100%; border-collapse: collapse;"> <tr> <td>D TYPE</td> <td>202HM2</td> <td>FOR 1/4" MAGNA-GRIP ASS'Y</td> </tr> </table>  <table border="1" style="width: 100%; border-collapse: collapse;"> <thead> <tr> <th>INDEX</th> <th>PART#</th> <th>DESCRIPTION</th> <th>QT'Y</th> </tr> </thead> <tbody> <tr> <td>90-1</td> <td>202HM21</td> <td>SWAGING ANVIL</td> <td>1</td> </tr> <tr> <td>90-2</td> <td>202HC12</td> <td>COLLET</td> <td>1</td> </tr> <tr> <td>90-3</td> <td>202HM23</td> <td>JAWS SET</td> <td>1</td> </tr> <tr> <td>90-4</td> <td>202HC24</td> <td>COLLET COUPLER</td> <td>1</td> </tr> </tbody> </table>	D TYPE	202HM2	FOR 1/4" MAGNA-GRIP ASS'Y	INDEX	PART#	DESCRIPTION	QT'Y	90-1	202HM21	SWAGING ANVIL	1	90-2	202HC12	COLLET	1	90-3	202HM23	JAWS SET	1	90-4	202HC24	COLLET COUPLER	1
C TYPE	231HC2	FOR 1/4" C6L ASS'Y																																													
INDEX	PART#	DESCRIPTION	QT'Y																																												
90-1	202HC21	SWAGING ANVIL	1																																												
90-2	202HC12	COLLET	1																																												
90-3	202HC23	JAWS SET	1																																												
90-4	231HC24	COLLET COUPLER	1																																												
D TYPE	202HM2	FOR 1/4" MAGNA-GRIP ASS'Y																																													
INDEX	PART#	DESCRIPTION	QT'Y																																												
90-1	202HM21	SWAGING ANVIL	1																																												
90-2	202HC12	COLLET	1																																												
90-3	202HM23	JAWS SET	1																																												
90-4	202HC24	COLLET COUPLER	1																																												

ZT2420HSN /ZT2420HS /ZT2420HSK

Split Type Air Hydraulic Lock Bolt Tool

TECHNICAL DATA

Traction Power	lbf(kgf)	5200(2400)
Stroke Length	mm	20
Net Weight	lbs(kgs)	2.75(1.25)
Nosepieces Equipped	inch(mm)	3/16" Fixed Grip Nose 1/4"Fixed Grip Nose 3/16"Multi Grip Nose 1/4"Multi Grip Nose (ZT2318H with one size lock bolt nose assembly only ZT2318HK with all size nose assembly) 1/4"Lock Bolts
Max. Capacity		

PARTS LIST

Index	Part #	Description	Index	Part #	Description	Index	Part #	Description
1.	231101R	Hydraulic Section	70.	919904	Silencer	11.	819106	Lock Nut (for Blind Rivet)
*2.	OR1217	O-RING (2)	71.	919903	Muffler Seat			
*3.	BR1217	Back-Up Ring (2)	72.	919905	Silencer	12.	819105	Head (for Blind Rivet)
4.	202306	Nut	73.	919901	Mandrel Collector			
5A	202315	Connector	74.	919906	Muffler Cap	87.	612706	Nose Piece 3/16" (4.8mm)
12A.	202115	Head(for Lock Bolt)	75.	612901	Deflector			
12B.	202113	Lock Nut (for Lock Bolt)	76.	258702C01	200mm PU Tube (2)			
12C	OR2630	O-RING	79.	314755	5mm Hex. Wrench	612708		Nose Piece 1/4" (6.4mm) (for Blind Rivet)
13.	231321	Hydraulic Plunger	79A	314966	6mm Hex. Wrench			
*14.	OR2835	O-RING (2)	80..	922961	60CC Oiler			
*15.	BR2835	Back-Up Ring (2)	82A	202704A	2.5x4 PU Hose(Black)	2318RS-4		FOR BLIND RIVET 3.2mm,4.0mm (1/8",5/32") (OPT.)
16.	202309	Return Spring	82B	202704B	2.5x4PUHose(Orange)			
17.	OR0812	O-RING (2)	82C	202704C	2.5x4PUHose(Orange)			
18.	OR3034	O-RING	82D	922704D	2.5x4 PU Hose(Black)	5.	202325	Jaw Housing Coupler (for Blind Rivet)
19.	202102	Rear Gland	82E	922704E	2.5x4PUHose(Orange)			
20.	OR3542	O-RING	83	9229060	Adaptor(2)	6.	OR1417	O-RING (for Blind Rivet)
21.	HR00812508	Set Screw	89.	92L2	Air Inlet Assembly	7B.	612308	Spring (for Blind Rivet)
22.	258801	Hanger(2)	90.	202HC1	For 3/16" Fixed Grip ass'y	8B.	214312	Jaw Pusher (for Blind Rivet)
23.	OR0306	O-RING (4)				9B.	612303	Jaw (2) (for Blind Rivet)
24.	612714	Washer (2)		202HM1	For 3/16" Multi Grip ass'y	10B.	612324A	Jaw Hosing (for Blind Rivet)
25.	612717	Socket (2)				11.	819106	Lock Nut (for Blind Rivet)
26.	612711	Cap (2)		202HB2	FOR 1/4" Blind Bolt ASS'Y	12.	819105	Head (for Blind Rivet)
27.	520106	Nut				87.	612704	Nose Piece 1/8" (3.2mm) (for Blind Rivet)
28A.	927802	Adaptor		231HC2	For 1/4" Fixed Grip ass'y	612705		Nose Piece 5/32" (4.0mm) (for Blind Rivet)
28B	OR1417	O-RING						
28C	8211012	Hydraulic Tube Washer						
28D	2021081	Hydraulic Tube Connector-A		202HM2	For 1/4" Multi Grip ass'y			
28E	5201083	Washer						
29.	OR2025	O-RING	91	2420HSK	Service Kit (opt.) (No.02.03.14.15.36.3 7.46. 48.49)			
30.	202401RA	Upper Cover						
31.	NN005080B	Nut (4)		2318RS-8	FOR BLIND RIVET 8mm(5/16") (OPT.)	77	612904	Multi-Wrench (A)(OPT)
*36.	OR1621	O-RING (2)	5B	202305	Connector	78	918905	17x19 Wrench (2)
*37.	BR1621	Back-Up Ring (2)	6	OR1417	O-RING	81A.	144905	19X21 Wrench
40.	202501	Plunger Rod	7A	202308	Spring	81B.	144906	Hydraulic cylinder adaptor
41.	202505	Bumper Ring	8A	202302	Jaw Pusher	91	9207601	Hydraulic tube adaptor
42A.	202504	Front Head Disc A	9A.	202303	Jaw(3)	92	9207602(4)	Hydraulic Hose - Handle
42B	202503	Front Head Disc B	10A.	202304	Jaw Hosing	93	920801	Hydraulic Male Quick Coupler
43.	920505	Packing Ring	11.	819106	Lock Nut (for Blind Rivet)	94	9207603	Adaptor
44.	202502	Lower Plate				95	9207604	Hydraulic Female Quick Coupler
45.	231201	Valve Case	12.	819105	Head (for Blind Rivet)	96	9207605	3m length hydraulic hose set w/quick coupler
*46.	OR0408	O-RING (2)	87A	819709SUS	Nose Piece 5/16"(8mm)	97	HH3	3m length hydraulic hose
47.	919202A	Valve Stem				97-A	H3	1m length hydraulic hose set w/quick coupler
*48.	OR0711	O-RING (2)				98	HH1	1m length hydraulic hose
*49.	OR1014	O-RING (2)				98-A	H1	Pneumatic Quick Coupling
50.	107409	Inlet Plug		2318RS	FOR BLIND RIVET 4.8mm,6.4mm (3/16",1/4") (OPT.)	99	9207606(4)	O-RING
50A	922409	Socket Screw				100	OR0609	Pouch (standard for 1M length)
51.	HC00407010	Set Screw (3)				101	CHBT-004	protection cap
52.	202402	Base	5	202325	Jaw Housing Coupler (for Blind Rivet)	102	202409	
61.	PW0306	Washer (5)						
62.	ST0310	Screw	6.	OR1417	(for Blind Rivet)			
62A.	HC00305006	Set Screw (4)						
63.	107602	Valve Body	7.	819308	Spring (for Blind Rivet)			
64.	107601	Bleeding Valve						
65.	107201R	Trigger	8.	214302	Jaw Pusher (for Blind Rivet)			
66	202117R	Plastic Grip-Right						
68A	202117L	Plastic Grip-Left	9.	819303	Jaw (2) (for Blind Rivet)			
			10.	819324	Jaw Hosing (for Blind Rivet)			