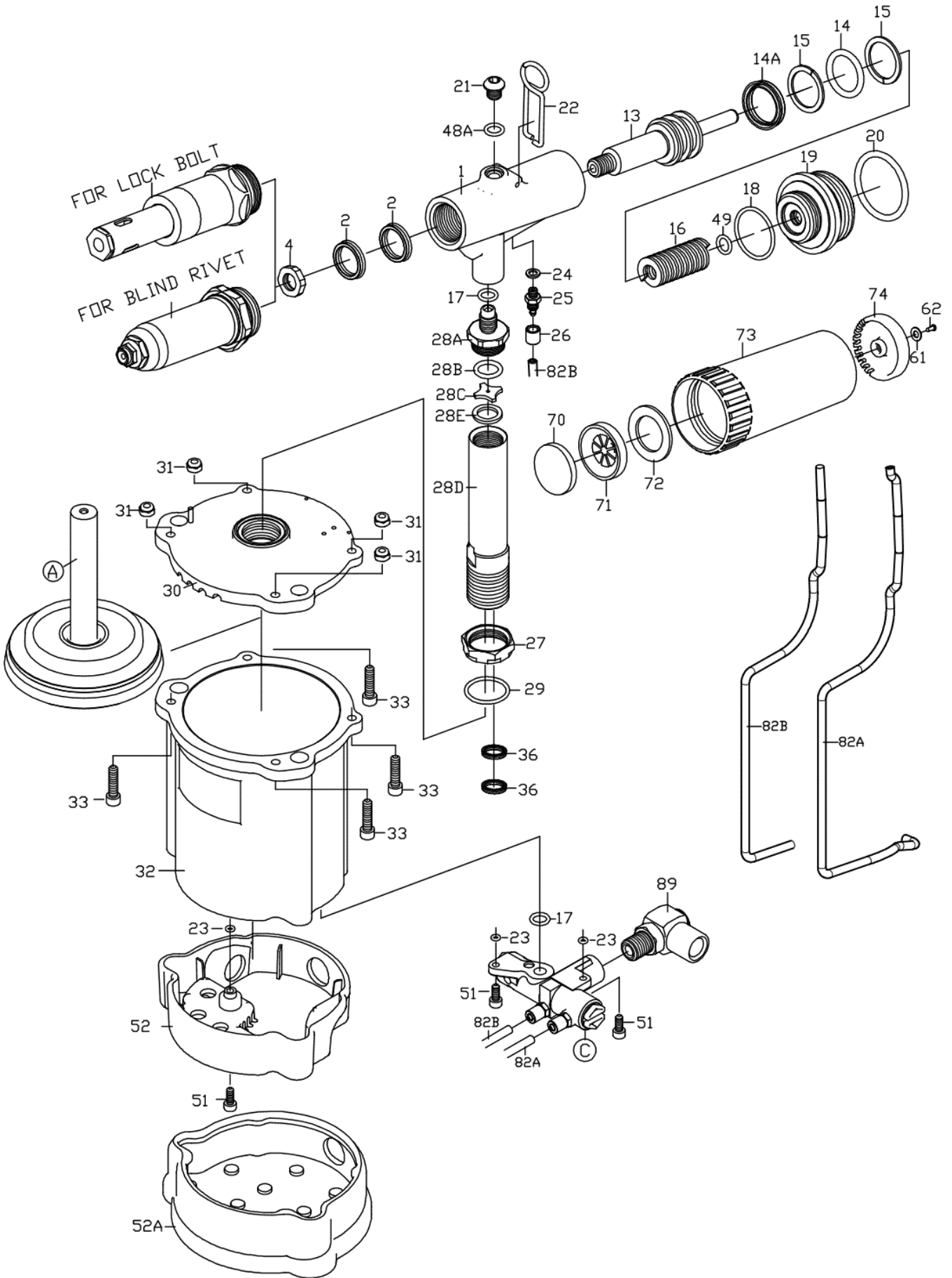
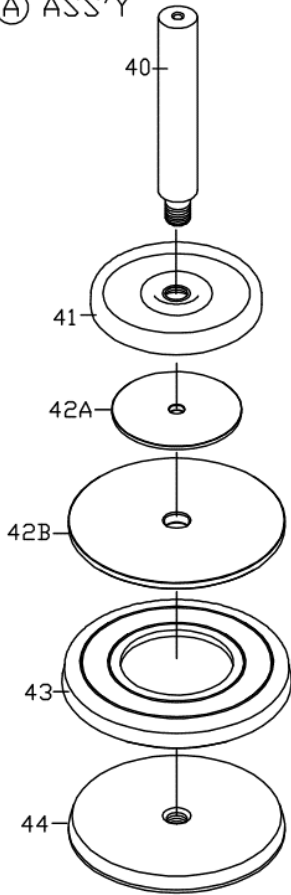


# ZT2318H /ZT2318HK

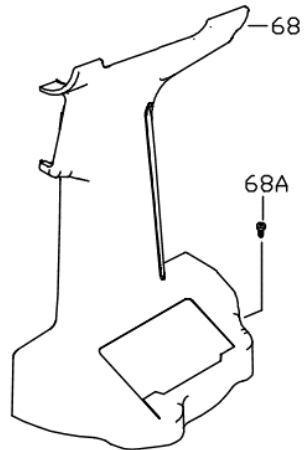
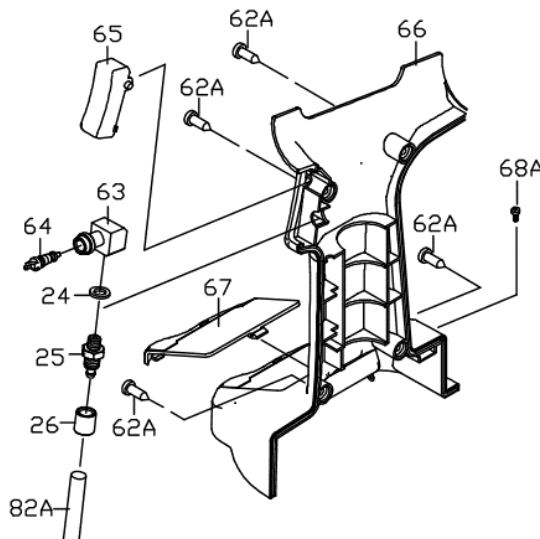
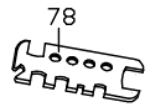
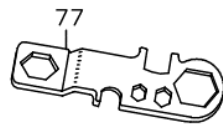
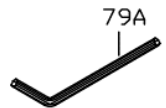
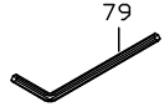
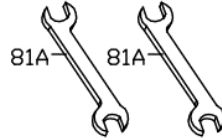
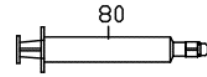
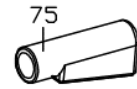
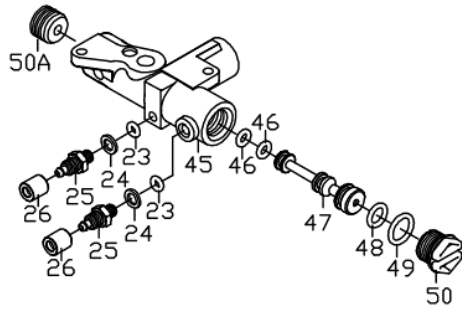
## Air Hydraulic Lock Bolt Tool / Air Hydraulic Lock Bolt Tool Kit



Ⓐ ASS'Y



Ⓒ ASS'Y



2318RS	FOR RIVET 4.8mm,6.4mm(3/16",1/4")	2318RS-8	FOR RIVET 8mm(5/16")
2318RS-4	FOR RIVET 3.2mm,4.0mm(1/8",5/32")	FOR #90 ASS'Y	
		TYPE	202HB2 FOR 1/4" BOM ASS'Y
FOR LOCK BOLT			
FOR LOCK BOLT-90 ASS'Y		FOR LOCK BOLT-90 ASS'Y	
A TYPE	202HC1A FOR 3/16" FIXED GRIP ASS'Y	B TYPE	202HM1 FOR 3/16" MULTI GRIP ASS'Y
INDEX	PART#	DESCRIPTION	QT'Y
90-1	202HC11	SWAGING ANVIL	1
90-2	202HC12	COLLET	1
90-3	202HC13A	JAWS SET	1
90-6	202HC24	COLLET COUPLER	1
INDEX	PART#	DESCRIPTION	QT'Y
90-1	202HM11	SWAGING ANVIL	1
90-2	202HC12	COLLET	1
90-3	202HM13	JAWS SET	1
90-4	202HC24	COLLET COUPLER	1
FOR LOCK BOLT-90 ASS'Y		FOR LOCK BOLT-90 ASS'Y	
C TYPE	231HC2 FOR 1/4" FIXED GRIP ASS'Y	D TYPE	202HM2 FOR 1/4" MULTI GRIP ASS'Y
INDEX	PART#	DESCRIPTION	QT'Y
90-1	202HC21	SWAGING ANVIL	1
90-2	202HC12	COLLET	1
90-3	202HC23	JAWS SET	1
90-4	231HC24	COLLET COUPLER	1
INDEX	PART#	DESCRIPTION	QT'Y
90-1	202HM21	SWAGING ANVIL	1
90-2	202HC12	COLLET	1
90-3	202HM23	JAWS SET	1
90-4	202HC24	COLLET COUPLER	1

# ZT2318H/ZT2318HK

## Air Hydraulic Lock Bolt Tool / Air Hydraulic Lock Bolt Tool Kit

### TECHNICAL DATA

Traction Power	lbf(kgf)	5000(2300)
Stroke Length	mm	18
Net Weight	lbs(kgs)	5.6(2.5)
Nosepieces Equipped	inch(mm)	3/16" Fixed Grip Nose 1/4" Fixed Grip Nose 3/16" Multi Grip Nose 1/4" Multi Grip Nose
		(ZT2318H with one size lock bolt nose assembly only ZT2318HK with all size nose assembly )
Max. Capacity		1/4" Multi Grip Lock Bolts

### PARTS LIST

Index	Part #	Description	Index	Part #	Description	Index	Part #	Description
1.	202101R	Hydraulic Section	51.	HC00407010	Set Screw (3)		<b>2318RS</b>	<b>FOR BLIND RIVET</b>
*2.	<b>MS1217</b>	Oil Seal (2)	52.	202402	Base			<b>4.8mm,6.4mm</b>
4.	202306	Nut	52A.	202404	Rubber Boot			<b>(3/16",1/4") (OPT.)</b>
5A	202315H	Connector	61.	PW0306	Washer	5	202325	Jaw Housing Coupler
12A.	202115	Head(for Lock Bolt)	62.	ST0310	Screw			(for Blind Rivet)
12B.	202113	Lock Nut	62A.	HC00305006	Set Screw (4)	6.	OR1417	O-RING
		(for Lock Bolt)	63.	107602	Valve Body			(for Blind Rivet)
12C	OR2630	O-RING	64.	107601	Bleeding Valve	7.	819308	Spring
13.	231301	Hydraulic Plunger	65.	107201R	Trigger			(for Blind Rivet)
*14.	OR2835	O-RING	66	202107R	Plastic Grip-Right	8.	214302	Jaw Pusher
*14A.	<b>MS2835</b>	Oil Seal	67.	202107C	Battery Cap			(for Blind Rivet)
*15.	BR2835	Back-Up Ring (2)	68.	202107L	Plastic Grip-Left	9.	819303	Jaw (2)
16.	202309	Return Spring	68A.	HR002504506	Set Screw (2)			(for Blind Rivet)
17.	OR0812	O-RING (2)	70.	919904	Silencer	10.	819324	Jaw Hosing
18.	OR3034	O-RING	71.	919903	Muffler Seat			(for Blind Rivet)
19.	202102	Rear Gland	72.	919905	Silencer	11.	819106	Lock Nut
20.	OR3542	O-RING	73.	919901	Mandrel Collector			(for Blind Rivet)
21.	HR00812508	Set Screw	74.	919906	Muffler Cap	12.	819105	Head
22.	258801	Hanger	75.	612901	Deflector			(for Blind Rivet)
23.	OR0306	O-RING (5)	79.	314755	5mm Hex. Wrench	87.	612706	Nose Piece 3/16"
24.	612714	Washer (4)	79A	314966	6mm Hex. Wrench			(4.8mm)
25.	612717	Socket (4)	80.	922901	Oiler			(for Blind Rivet)
26.	612711	Cap (4)	82A.	202704A	2.5x4 PU Hose		612708	Nose Piece 1/4"
27.	520106	Nut	82B	231704B	2.5x4 PU Hose			(6.4mm)
28A.	5201082	Hydraulic Tube	89.	92L2	Air Inlet Assembly			(for Blind Rivet)
28B		Connector-B	90.	202HC1A	For 3/16" Fixed Grip ass'y		<b>2318RS-4</b>	<b>FOR BLIND RIVET</b>
	OR1417	O-RING			(for Lock Bolt)			<b>3.2mm,4.0mm</b>
28C	8211012	Hydraulic Tube			For 3/16" Multi Grip ass'y	5.	202325	Jaw Housing Coupler
		Washer		202HM1	(for Lock Bolt)			(for Blind Rivet)
28D	2311081	Hydraulic Tube			FOR 1/4" Blind Bolt ASS'Y	6.	OR1417	O-RING
		Connector-A			For 1/4" Fixed Grip ass'y			(for Blind Rivet)
28E	5201083	Washer		202HB2	For 1/4" Multi Grip ass'y			(for Blind Rivet)
29.	OR2025	O-RING			(for Lock Bolt)	7B.	612308	Spring
30.	202401RA	Upper Cover		231HC2	For 1/4" Fixed Grip ass'y			(for Blind Rivet)
31.	NN005080B	Nut (4)			(for Lock Bolt)	8B.	214312	Jaw Pusher
32.	202403RZ	Air Cylinder Body			For 1/4" Multi Grip ass'y			(for Blind Rivet)
33.	HC00508020	Set Screw (4)		202HM2	(for Lock Bolt)	9B.	612303	Jaw (2)
*36.	<b>MS1520</b>	Oil Seal (2)			Service Kit (opt.)			(for Blind Rivet)
40.	231501	Plunger Rod			(No.02.14.14A.15.36 .46. 48.48A.49)	10B.	612324A	Jaw Hosing
41.	202505	Bumper Ring	91	<b>2318HSK</b>	<b>FOR BLIND RIVET</b>			(for Blind Rivet)
42A.	202504	Front Head Disc A			<b>8mm(5/16") (OPT.)</b>	11.	819106	Lock Nut
42B	202503	Front Head Disc B						(for Blind Rivet)
43.	920505	Packing Ring				12.	819105	Head
44.	202502	Lower Plate						(for Blind Rivet)
45.	919211	Valve Case	5B	202305	Connector	87.	612704	Nose Piece 1/8"
*46.	OR0408AS	O-RING (2)	6	OR1417	O-RING			(3.2mm)
47.	919202A	Valve Stem	7A	202308	Spring			(for Blind Rivet)
*48.	OR0711	O-RING	8A	202302	Jaw Pusher		612705	Nose Piece 5/32"
*48A.	OR0711A	O-RING	9A.	202303	Jaw(3)			(4.0mm)
*49.	OR1014	O-RING (2)	10A.	202304	Jaw Hosing			(for Blind Rivet)
50.	107409	Inlet Plug	11.	819106	Lock Nut	77	612904	Multi-Wrench
50A	922409	Socket Screw			(for Blind Rivet)			(A)(OPT)
			12.	819105	Head	78	918905	Multi-Wrench (B)
					(for Blind Rivet)			(OPT)
			87A	819709SUS	Nose Piece	81A.	144905	17x19 Wrench (2)
					5/16"(8mm)	81B.	144906	19X21 Wrench