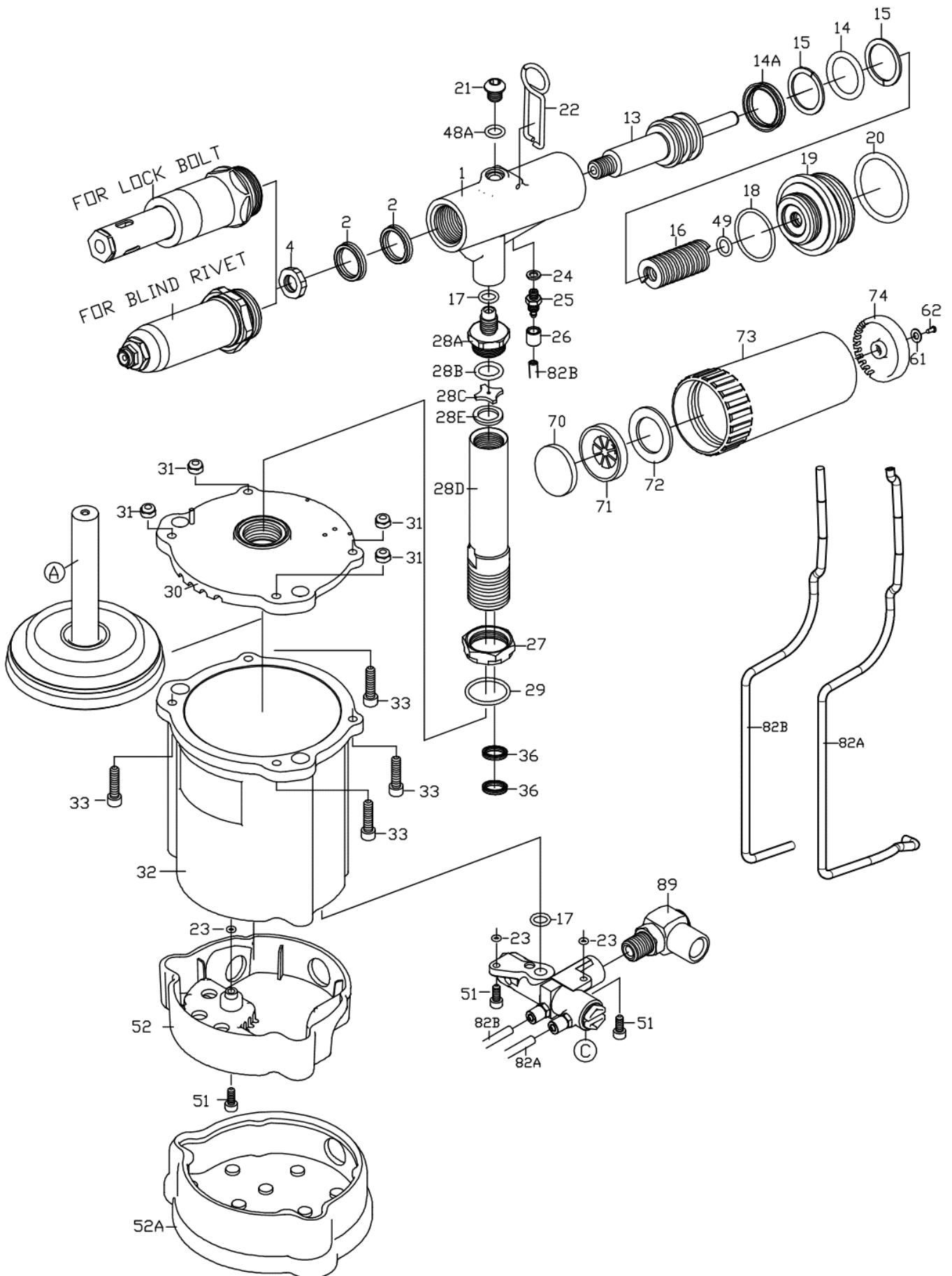
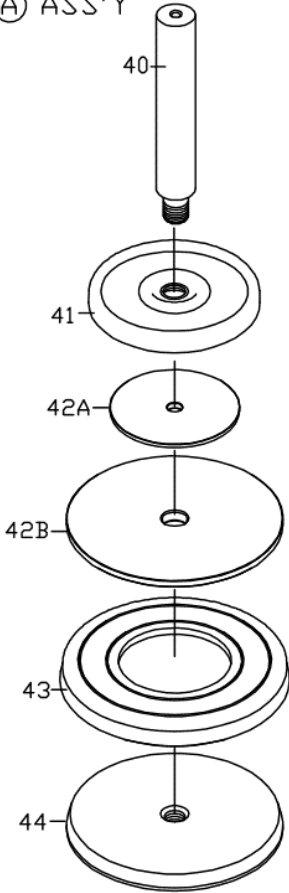


ZT2318H /ZT2318HK

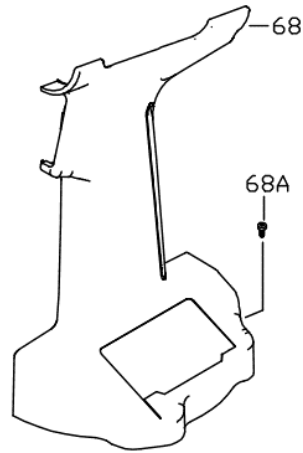
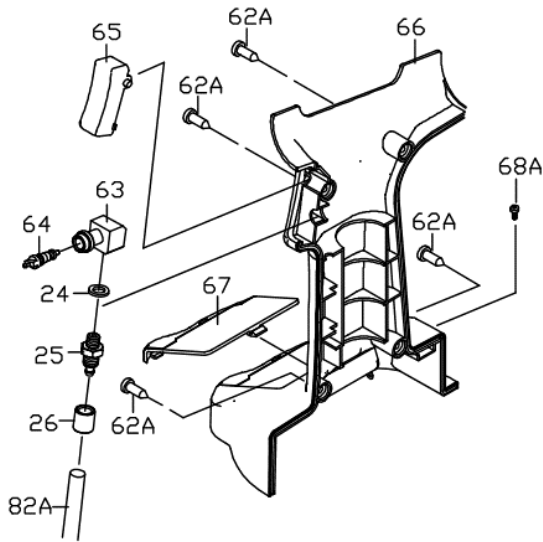
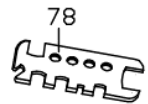
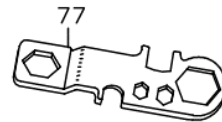
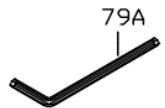
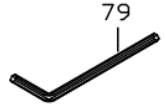
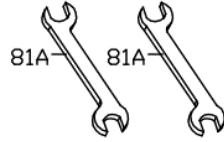
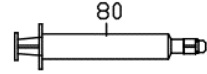
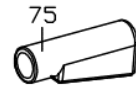
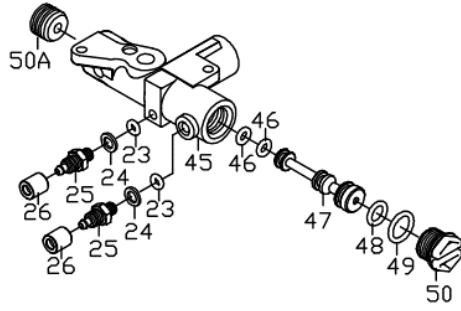
Air Hydraulic Lock Bolt Tool / Air Hydraulic Lock Bolt Tool Kit



Ⓐ ASS'Y



Ⓒ ASS'Y



2318RS	FOR RIVET 4.8mm,6.4mm(3/16",1/4")	2318RS-8	FOR RIVET 8mm(5/16")
2318RS-4	FOR RIVET 3.2mm,4.0mm(1/8",5/32")	FOR #90 ASS'Y	
		TYPE	202HB2 FOR 1/4" BOM ASS'Y
FOR LOCK BOLT			
FOR LOCK BOLT-90 ASS'Y		FOR LOCK BOLT-90 ASS'Y	
A TYPE	202HC1A FOR 3/16" FIXED GRIP ASS'Y	B TYPE	202HM1 FOR 3/16" MULTI GRIP ASS'Y
INDEX	PART#	DESCRIPTION	QT'Y
90-1	202HC11	SWAGING ANVIL	1
90-2	202HC12	COLLET	1
90-3	202HC13A	JAWS SET	1
90-6	202HC24	COLLET COUPLER	1
INDEX	PART#	DESCRIPTION	QT'Y
90-1	202HM11	SWAGING ANVIL	1
90-2	202HC12	COLLET	1
90-3	202HM13	JAWS SET	1
90-4	202HC24	COLLET COUPLER	1
FOR LOCK BOLT-90 ASS'Y		FOR LOCK BOLT-90 ASS'Y	
C TYPE	231HC2 FOR 1/4" FIXED GRIP ASS'Y	D TYPE	202HM2 FOR 1/4" MULTI GRIP ASS'Y
INDEX	PART#	DESCRIPTION	QT'Y
90-1	202HC21	SWAGING ANVIL	1
90-2	202HC12	COLLET	1
90-3	202HC23	JAWS SET	1
90-4	231HC24	COLLET COUPLER	1
INDEX	PART#	DESCRIPTION	QT'Y
90-1	202HM21	SWAGING ANVIL	1
90-2	202HC12	COLLET	1
90-3	202HM23	JAWS SET	1
90-4	202HC24	COLLET COUPLER	1

ZT2318H/ZT2318HK

Air Hydraulic Lock Bolt Tool / Air Hydraulic Lock Bolt Tool Kit

TECHNICAL DATA

Traction Power	lbf(kgf)	5000(2300)
Stroke Length	mm	18
Net Weight	lbs(kgs)	5.6(2.5)
Nosepieces Equipped	inch(mm)	3/16" Fixed Grip Nose 1/4" Fixed Grip Nose 3/16" Multi Grip Nose 1/4" Multi Grip Nose
		(ZT2318H with one size lock bolt nose assembly only ZT2318HK with all size nose assembly)
Max. Capacity		1/4" Multi Grip Lock Bolts

PARTS LIST

Index	Part #	Description	Index	Part #	Description	Index	Part #	Description
1.	202101R	Hydraulic Section	51.	HC00407010	Set Screw (3)		2318RS	FOR BLIND RIVET
*2.	MS1217	Oil Seal (2)	52.	202402	Base			4.8mm,6.4mm
4.	202306	Nut	52A.	202404	Rubber Boot			(3/16",1/4") (OPT.)
5A	202315H	Connector	61.	PW0306	Washer	5	202325	Jaw Housing Coupler
12A.	202115	Head(for Lock Bolt)	62.	ST0310	Screw			(for Blind Rivet)
12B.	202113	Lock Nut	62A.	HC00305006	Set Screw (4)	6.	OR1417	O-RING
		(for Lock Bolt)	63.	107602	Valve Body			(for Blind Rivet)
12C	OR2630	O-RING	64.	107601	Bleeding Valve	7.	819308	Spring
13.	231301	Hydraulic Plunger	65.	107201R	Trigger			(for Blind Rivet)
*14.	OR2835	O-RING	66	202107R	Plastic Grip-Right	8.	214302	Jaw Pusher
*14A.	MS2835	Oil Seal	67.	202107C	Battery Cap			(for Blind Rivet)
*15.	BR2835	Back-Up Ring (2)	68.	202107L	Plastic Grip-Left	9.	819303	Jaw (2)
16.	202309	Return Spring	68A.	HR002504506	Set Screw (2)			(for Blind Rivet)
17.	OR0812	O-RING (2)	70.	919904	Silencer	10.	819324	Jaw Hosing
18.	OR3034	O-RING	71.	919903	Muffler Seat			(for Blind Rivet)
19.	202102	Rear Gland	72.	919905	Silencer	11.	819106	Lock Nut
20.	OR3542	O-RING	73.	919901	Mandrel Collector			(for Blind Rivet)
21.	HR00812508	Set Screw	74.	919906	Muffler Cap	12.	819105	Head
22.	258801	Hanger	75.	612901	Deflector			(for Blind Rivet)
23.	OR0306	O-RING (5)	79.	314755	5mm Hex. Wrench	87.	612706	Nose Piece 3/16"
24.	612714	Washer (4)	79A	314966	6mm Hex. Wrench			(4.8mm)
25.	612717	Socket (4)	80.	922901	Oiler			(for Blind Rivet)
26.	612711	Cap (4)	82A.	202704A	2.5x4 PU Hose		612708	Nose Piece 1/4"
27.	520106	Nut	82B	231704B	2.5x4 PU Hose			(6.4mm)
28A.	5201082	Hydraulic Tube	89.	92L2	Air Inlet Assembly			(for Blind Rivet)
28B		Connector-B	90.	202HC1A	For 3/16" Fixed Grip		2318RS-4	FOR BLIND RIVET
	OR1417	O-RING			ass'y			3.2mm,4.0mm
28C	8211012	Hydraulic Tube			(for Lock Bolt)			(1/8",5/32") (OPT.)
		Washer		202HM1	For 3/16" Multi Grip	5.	202325	Jaw Housing Coupler
28D	2311081	Hydraulic Tube			ass'y			(for Blind Rivet)
		Connector-A			(for Lock Bolt)	6.	OR1417	O-RING
28E	5201083	Washer		202HB2	FOR 1/4" Blind Bolt			(for Blind Rivet)
29.	OR2025	O-RING			ASS'Y	7B.	612308	Spring
30.	202401RA	Upper Cover		231HC2	For 1/4" Fixed Grip			(for Blind Rivet)
31.	NN005080B	Nut (4)			ass'y	8B.	214312	Jaw Pusher
32.	202403RZ	Air Cylinder Body			(for Lock Bolt)			(for Blind Rivet)
33.	HC00508020	Set Screw (4)		202HM2	For 1/4" Multi Grip	9B.	612303	Jaw (2)
*36.	MS1520	Oil Seal (2)			ass'y			(for Blind Rivet)
40.	231501	Plunger Rod			(for Lock Bolt)	10B.	612324A	Jaw Hosing
41.	202505	Bumper Ring	91	2318HSK	Service Kit (opt.)			(for Blind Rivet)
42A.	202504	Front Head Disc A			(No.02.14.14A.15.36	11.	819106	Lock Nut
42B	202503	Front Head Disc B			.46. 48.48A.49)			(for Blind Rivet)
43.	920505	Packing Ring			FOR BLIND RIVET	12.	819105	Head
44.	202502	Lower Plate			8mm(5/16") (OPT.)			(for Blind Rivet)
45.	919211	Valve Case	5B	202305	Connector	87.	612704	Nose Piece 1/8"
*46.	OR0408AS	O-RING (2)	6	OR1417	O-RING			(3.2mm)
47.	919202A	Valve Stem	7A	202308	Spring			(for Blind Rivet)
*48.	OR0711	O-RING	8A	202302	Jaw Pusher		612705	Nose Piece 5/32"
*48A.	OR0711A	O-RING	9A.	202303	Jaw(3)			(4.0mm)
*49.	OR1014	O-RING (2)	10A.	202304	Jaw Hosing			(for Blind Rivet)
50.	107409	Inlet Plug	11.	819106	Lock Nut	77	612904	Multi-Wrench
50A	922409	Socket Screw			(for Blind Rivet)			(A)(OPT)
			12.	819105	Head	78	918905	Multi-Wrench (B)
					(for Blind Rivet)			(OPT)
			87A	819709SUS	Nose Piece	81A.	144905	17x19 Wrench (2)
					5/16"(8mm)	81B.	144906	19X21 Wrench