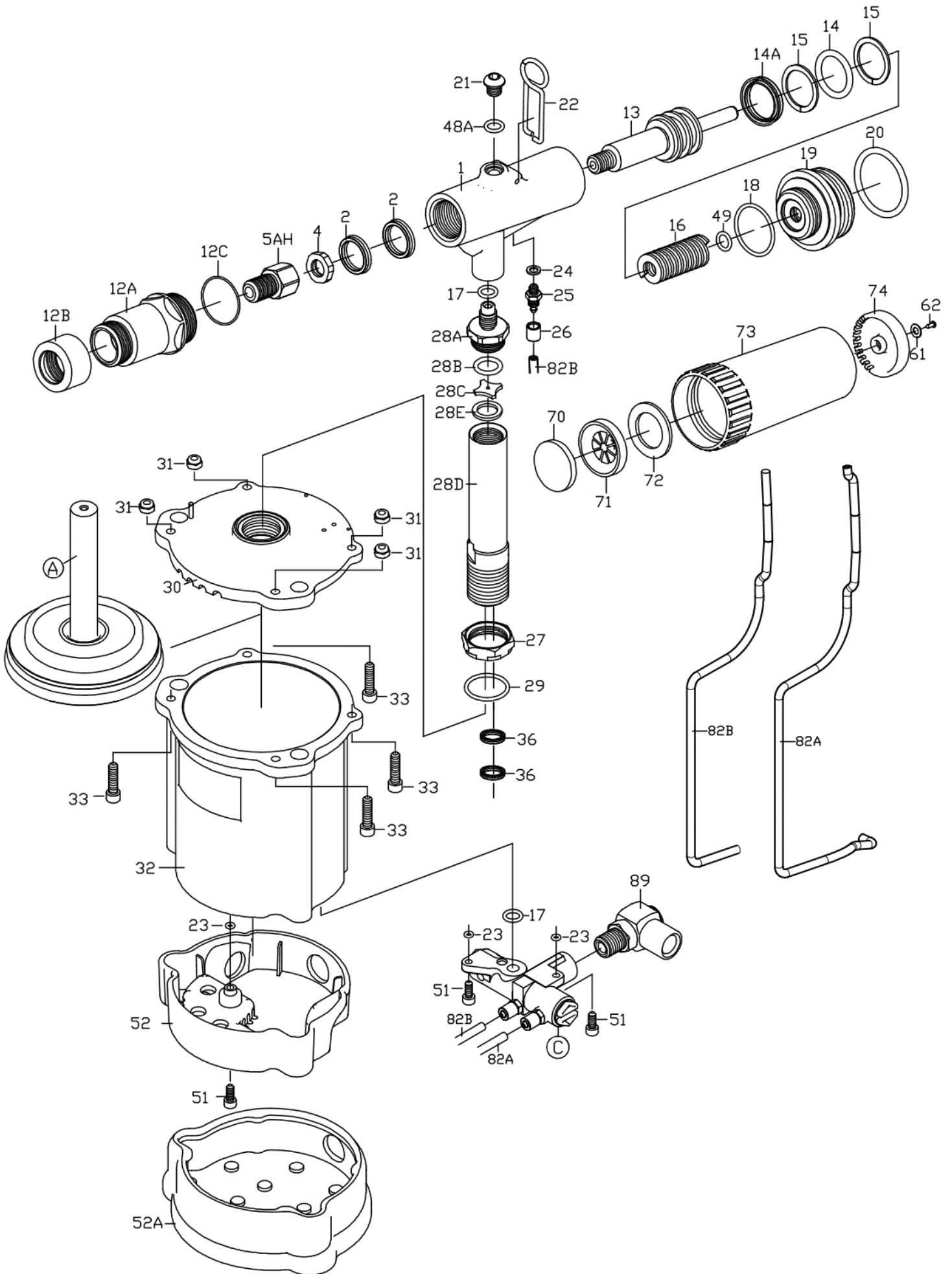
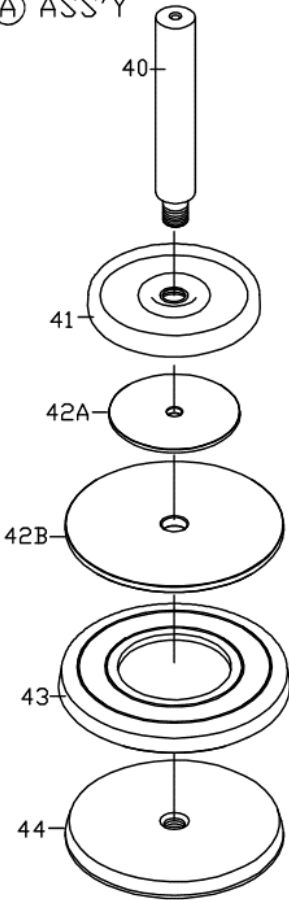


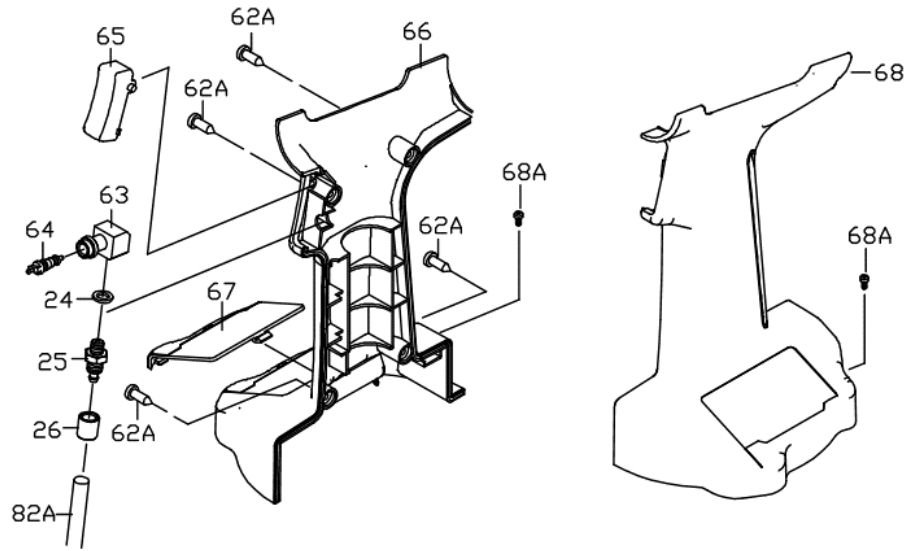
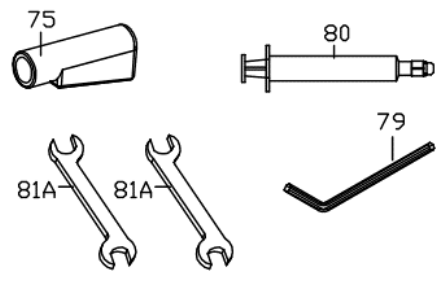
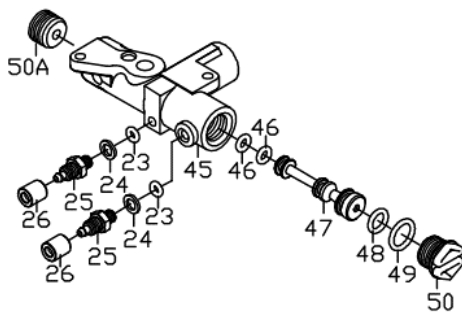
**ZT2318-HA**  
**Air Hydraulic Lock Bolt Tool ( No Nose Assembly )**



Ⓐ ASS'Y



Ⓒ ASS'Y



**ZT2318-HA****Air Hydraulic Lock Bolt Tool ( No Nose Assembly )**

<b>TECHNICAL DATA</b>	Traction Power	lbf(kgf)	:	5000(2300)
	Stroke Length	mm	:	18
	Net Weight	lbs(kgs)	:	5.6(2.5)
	Nosepieces Equipped	inch(mm)	:	Designed for original HUCK & AVDEL nose assemblies
	Max. Capacity		:	1/4" lock bolts

**PARTS LIST**

<b>Index</b>	<b>Part #</b>	<b>Description</b>	<b>Index</b>	<b>Part #</b>	<b>Description</b>
1.	202101R	Hydraulic Section	62A	HC00305006	Set Screw (4)
*2.	<b>MS1217</b>	Oil Seal (2)	63.	107602	Valve Body
4.	202306	Nut	64.	107601	Bleeding Valve
5AH	202315H	Connector	65.	107201R	Trigger
12A.	202115	Head(for Lock Bolt)	66	202107R	Plastic Grip-Right
12B.	202113	Lock Nut (for Lock Bolt)	67.	202107C	Battery Cap
12C	OR2630	O-RING	68.	202107L	Plastic Grip-Left
13.	231301	Hydraulic Plunger	68A	HR002504506	Set Screw (2)
*14.	OR2835	O-RING	70.	919904	Silencer
*14A.	<b>MS2835</b>	Oil Seal	71.	919903	Muffler Seat
*15.	BR2835	Back-Up Ring (2)	72.	919905	Silencer
16.	202309	Return Spring	73.	919901	Mandrel Collector
17.	OR0812	O-RING (2)	74.	919906	Muffler Cap
18.	OR3034	O-RING	75.	612901	Deflector
19.	202102	Rear Gland	79.	314755	5mm Hex. Wrench
20.	OR3542	O-RING	80.	922901	Oiler
21.	HR00812508	Set Screw	81A.	144905	17x19 Wrench (2)
22.	258801	Hanger	82A	202704A	2.5x4 PU Hose
23.	OR0306	O-RING (5)	82B	231704B	2.5x4 PU Hose
24.	612714	Washer (4)	89.	92L2	Air Inlet Assembly
25.	612717	Socket (4)	<b>91</b>	<b>2318HAK</b>	<b>Service Kit (opt.)</b>
26.	612711	Cap (4)			<b>(No.02.14.14A.15.36.46. 48.48A.49)</b>
27.	520106	Nut			
28A.	5201082	Hydraulic Tube Connector-B			
28B	OR1417	O-RING			
28C	8211012	Hydraulic Tube Washer			
28D	2311081	Hydraulic Tube Connector-A			
28E	5201083	Washer			
29.	OR2025	O-RING			
30.	202401RA	Upper Cover			
31.	NN005080B	Nut (4)			
32.	202403R	Air Cylinder Body			
33.	HC00508020	Set Screw (4)			
*36.	<b>MS1520</b>	O-RING (2)			
40.	231501	Plunger Rod			
41.	202505	Bumper Ring			
42A.	202504	Front Head Disc A			
42B	202503	Front Head Disc B			
43.	920505	Packing Ring			
44.	202502	Lower Plate			
45.	919211	Valve Case			
*46.	OR0408AS	O-RING (2)			
47.	919202A	Valve Stem			
*48.	OR0711	O-RING			
*48A	OR0711A	O-RING			
*49.	OR1014	O-RING (2)			
50.	107409	Inlet Plug			
50A.	922409	Socket Screw			
51.	HC00407010	Set Screw (3)			
52.	202402	Base			
52A.	202404	Rubber Boot			
61.	PW0306	Washer			
62.	ST0310	Screw			