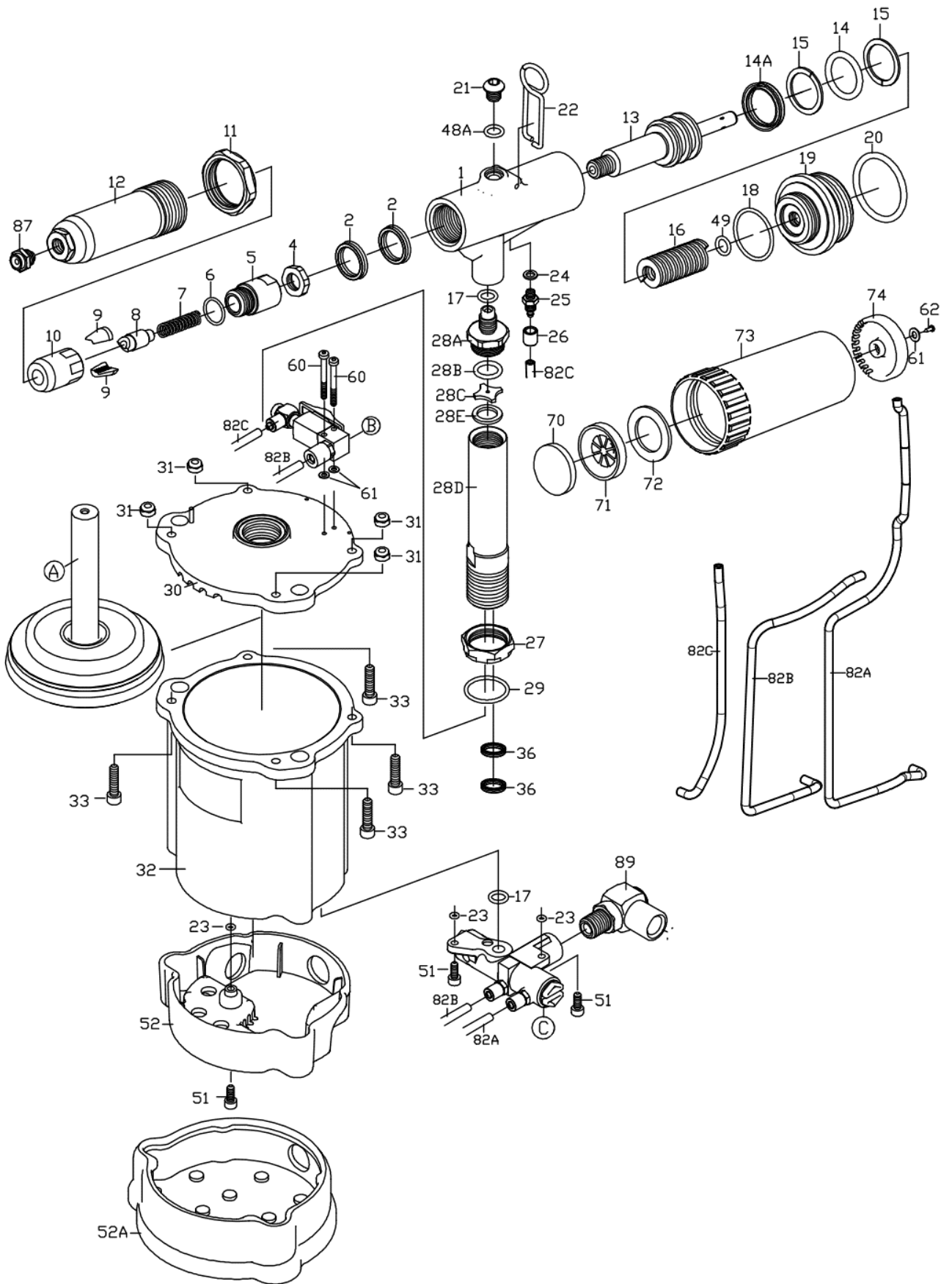
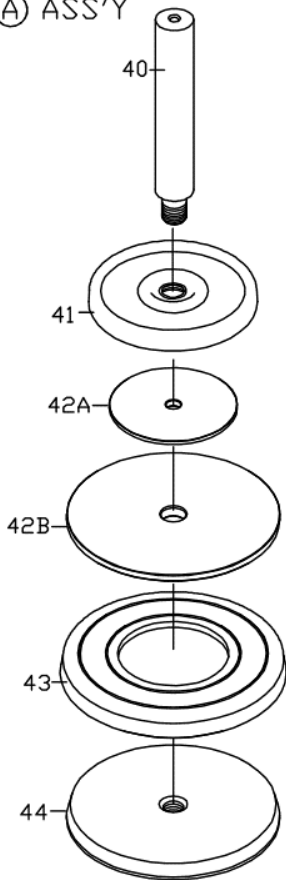


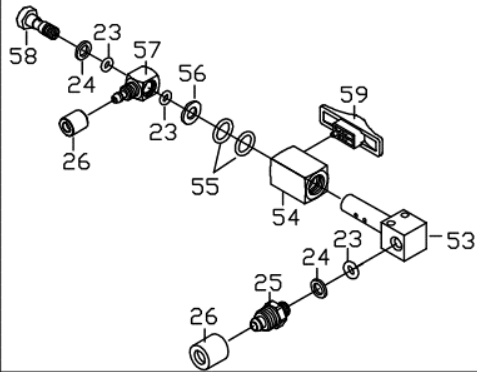
ZT2021 1/4" (6.4MM) Air Hydraulic Riveter



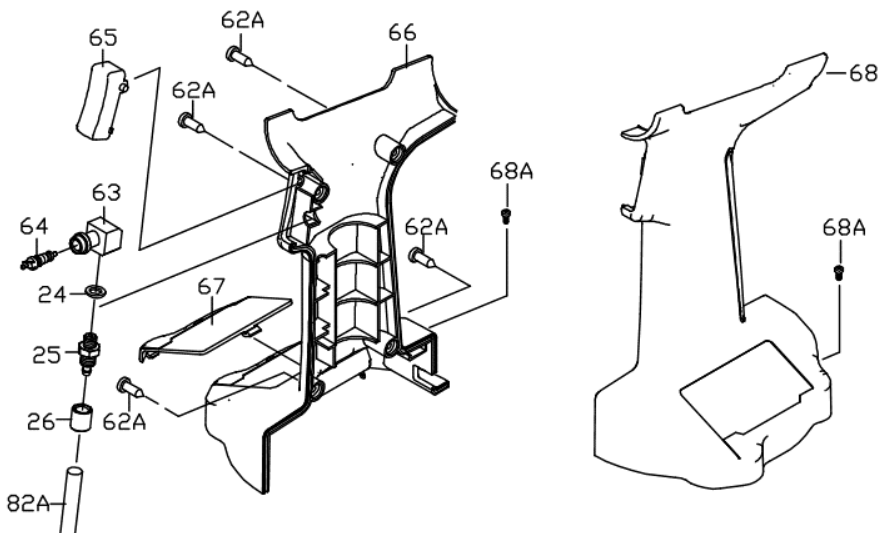
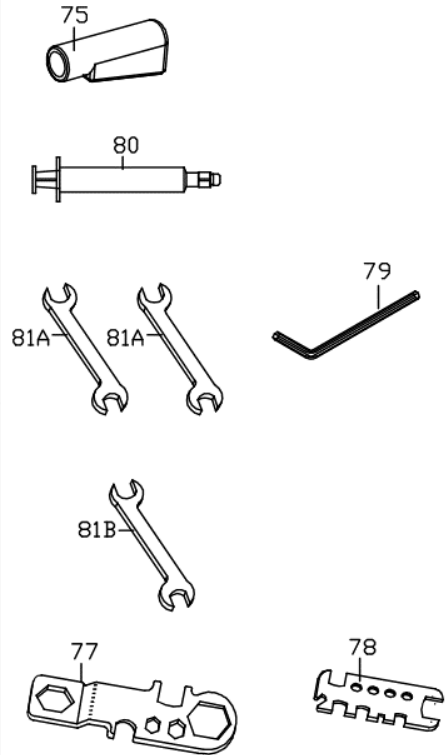
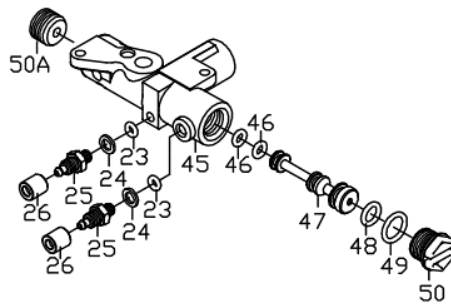
Ⓐ ASS'Y



Ⓑ ASS'Y



Ⓒ ASS'Y



ZT2021 1/4" (6.4MM) Air Hydraulic Riveter

| | | | | |
|-----------------------|---------------------|----------|---|--|
| TECHNICAL DATA | Traction Power | lbf(kgf) | : | 4400(2000) |
| | Stroke Length | mm | : | 21 |
| | Net Weight | lbs(kgs) | : | 5.6(2.5) |
| | Nosepieces Equipped | inch(mm) | : | 3/16(4.8)1/4(6.4), Monobolt 3/16(4.8)1/4(6.4) |
| | Max. Capacity | | : | 1/4"(6.4mm) structural rivets in all materials |

P A R T S L I S T

| Index | Part # | Description | Index | Part # | Description |
|-------|---------------|----------------------------|-------|-------------|---------------------------------|
| 1. | 202101R | Hydraulic Section | 48A. | OR0711A | O-RING |
| *2. | MS1217 | Oil Seal (2) | *49. | OR1014 | O-RING (2) |
| 4. | 202306 | Nut | 50. | 107409 | Inlet Plug |
| 5. | 202325 | Jaw Housing Coupler | 50A. | 922409 | Socket Screw |
| 6. | OR1417 | O-RING | 51. | HC00407010 | Set Screw (3) |
| 7. | 819308 | Spring | 52. | 202402 | Base |
| 8. | 214302 | Jaw Pusher | 52A. | 202404 | Rubber Boot |
| *9. | 819303 | Jaw (2) | 53. | 922701 | Vacuum Valve |
| 10. | 819324 | Jaw Hosing | 54. | 922702 | Sleeve |
| 11. | 819106 | Lock Nut | 55. | OR0811 | O-RING (2) |
| 12. | 819105 | Head | 56. | PW0510 | Washer |
| 13. | 202301 | Hydraulic Plunger | 57. | 612712 | Swivel |
| *14. | OR2835 | O-RING | 58. | 612713 | Socket |
| *14A. | MS2835 | Oil Seal | 59. | 922703 | Vacuum Switch |
| *15. | BR2835 | Back-Up Ring (2) | 60. | HC00305020 | Set Screw (2) |
| 16. | 202309 | Return Spring | 61. | PW0306 | Washer (3) |
| 17. | OR0812 | O-RING (2) | 62. | ST0310 | Screw |
| 18. | OR3034 | O-RING | 62A. | HC00305006 | Set Screw (4) |
| 19. | 202102 | Rear Gland | 63. | 107602 | Valve Body |
| 20. | OR3542 | O-RING | 64. | 107601 | Bleeding Valve |
| 21. | HR00812508 | Set Screw | 65. | 107201R | Trigger |
| 22. | 258801 | Hanger | 66. | 202107RV | Plastic Grip-Right |
| 23. | OR0306 | O-RING (8) | 67. | 202107C | Battery Cap |
| 24. | 612714 | Washer (6) | 68. | 202107LV | Plastic Grip-Left |
| 25. | 612717 | Socket (5) | 68A. | HR002504506 | Set Screw (2) |
| 26. | 612711 | Cap (6) | 70. | 919904 | Silencer |
| 27. | 520106 | Nut | 71. | 919903 | Muffler Seat |
| 28A. | 5201082 | Hydraulic Tube Connector-B | 72. | 919905 | Silencer |
| 28B. | OR1417 | O-RING | 73. | 919901 | Mandrel Collector |
| 28C. | 8211012 | Hydraulic Tube Washer | 74. | 919906 | Muffler Cap |
| 28D. | 2021081 | Hydraulic Tube Connector-A | 75. | 612901 | Deflector |
| 28E. | 5201083 | Washer | 77. | 612904 | Multi-Wrench (A) |
| 29. | OR2025 | O-RING | 78. | 918905 | Multi-Wrench (B) |
| 30. | 202401RA | Upper Cover | 79. | 314755 | 5mm Hex. Wrench |
| 31. | NN005080 | Nut (4) | 80. | 922901 | Oiler |
| 32. | 202403RZ | Air Cylinder Body | 81A. | 144905 | 17x19 Wrench (2) |
| 33. | HC00508020 | Set Screw (4) | 81B. | 144906 | 19X21 Wrench |
| *36. | MS1621 | Oil Seal (2) | 82A. | 202704A | 2.5x4 PU Hose(Black) |
| 40. | 202501 | Plunger Rod | 82B. | 202704B | 2.5x4 PU Hose(Orange) |
| 41. | 202505 | Bumper Ring | 82C. | 202704C | 2.5x4 PU Hose(Orange) |
| 42A. | 202504 | Front Head Disc A | 87. | 612706 | Nose Piece 3/16" (4.8mm) |
| 42B. | 202503 | Front Head Disc B | | 612708 | Nose Piece 1/4" (6.4mm) |
| 43. | 920505 | Packing Ring | | 612746 | Monobolt Nosepiece 3/16"(4.8mm) |
| 44. | 202502 | Lower Plate | | 612748 | Monobolt Nosepiece 1/4"(6.4mm) |
| 45. | 919211 | Valve Case | 89. | 92L2 | Air Inlet Assembly |
| *46. | OR0408AS | O-RING (2) | 90 | 2021SK | Service Kit (opt.) |
| 47. | 919202A | Valve Stem | | | (No.02.09.14.14A.15.36.46. |
| *48. | OR0711 | O-RING | | | 48.48A.49) |