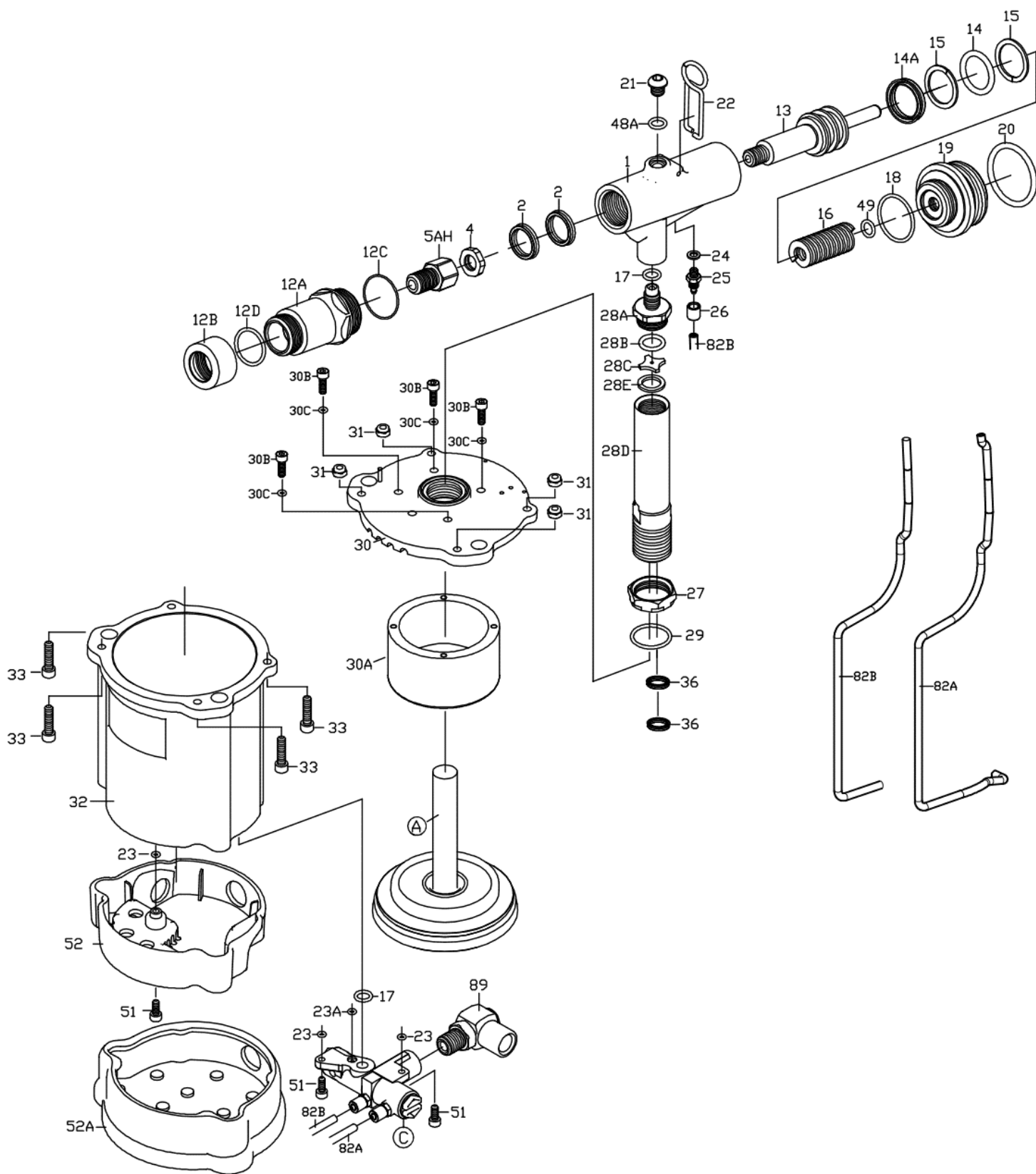
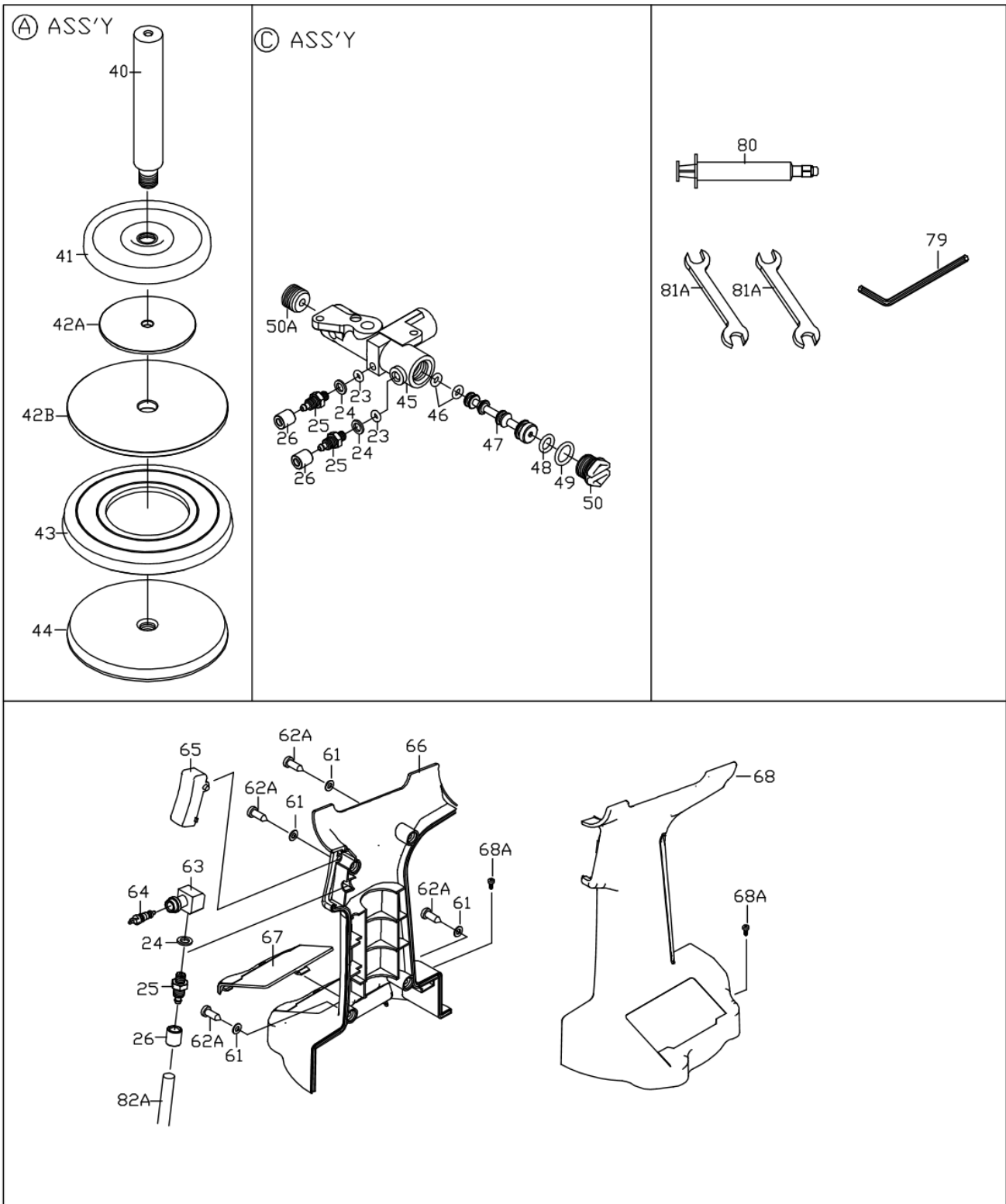


ZT1914CM Aviation Riveter





ZT1914CM Aviation Riveter

TECHNICAL DATA	Traction Power	lbf(kgf)	: 4200(1900)
	Stroke Length	mm	: 14
	Net Weight	lbs(kgs)	: 5.7(2.6)
	Nosepieces Equipped		: Need to purchase separately
	Max. Capacity/ Max. Grip		: -4, -5, -6, -8 fasteners MAXIBOLT®-05, -06, -08, -50 Lockbolt -4, -5, -6, -8 MAXIBOLT PLUS® -5, -6, -8 NAS1919/1921 -4, -5, -6 CherryMAX®-5, -6, -8 CherryMAX® AB -8 CherryLOCK® "A" -8

CherryMAX®, CherryLOCK®, MAXIBOLT®, MAXIBOLT PLUS® are registered trademarks of Cherry Aerospace asteners.

PARTS LIST

Index	Part #	Description	Index	Part #	Description
1.	202101R	Hydraulic Section	*48.	OR0711	O-RING
*2.	MS1217	Oil Seal (2)	*48A.	OR0711A	O-RING
4.	202306	Nut	*49.	OR1014	O-RING (2)
5AH	202315H	Connector	50.	107409	Inlet Plug
12A.	1914115	Head(for Lock Bolt)	50A.	922409	Socket Screw
12B.	1914113	Lock Nut (for Lock Bolt)	51.	HC00407010	Set Screw (3)
12C	OR2630	O-RING	52.	202402	Base
12D	OR2227	O-RING	52A.	202404	Rubber Boot
13.	231301	Hydraulic Plunger	61.	PW0306	Washer (4)
*14.	OR2835	O-RING	62A	HC00305006	Set Screw (4)
*14A.	MS2835	Oil Seal	63.	107602	Valve Body
*15.	BR2835	Back-Up Ring (2)	64.	107601	Bleeding Valve
16.	202309	Return Spring	65.	107201R	Trigger
17.	OR0812	O-RING (2)	66	202107R	Plastic Grip-Right
18.	OR3034	O-RING	67.	202107C	Battery Cap
19.	202102	Rear Gland	68.	202107L	Plastic Grip-Left
20.	OR3542	O-RING	68A	HR00250450	Set Screw (2)
21.	HR00812508	Set Screw	79.	6	5mm Hex. Wrench
22.	258801	Hanger	80.	314755	Oiler
23.	OR0306	O-RING (5)	81A.	922901	17x19 Wrench (2)
23A	OR0307	O-RING	82A	144905	2.5x4 PU Hose
24.	612714	Washer (4)	82B	202704A	2.5x4 PU Hose
25.	612717	Socket (4)	89.	231704B	Air Inlet Assembly
26.	612711	Cap (4)	91	92L2	Service Kit (opt.)
27.	520106	Nut		1914HAK	(No.02.14.14A.15.36.45B.46.48.48A.49)
28A.	5201082	Hydraulic Tube Connector-B			
28B	OR1417	O-RING			
28C	8211012	Hydraulic Tube Washer			
28D	2021081	Hydraulic Tube Connector-A			
28E	5201083	Washer			
29.	OR2025	O-RING			
30.	1914401RA	Upper Cover			
30A	1914404	Spacer			
30B	HC00407016	Set Screw (4)			
30C	SW0407	Spring washer (4)			
31.	NN005080B	Nut (4)			
32.	1914403R	Air Cylinder Body			
33.	HC00508020	Set Screw (4)			
*36.	MS1621	Oil Seal (2)			
40.	202501	Plunger Rod			
41.	202505	Bumper Ring			
42A.	202504	Front Head Disc A			
42B	202503	Front Head Disc B			
43.	920505	Packing Ring			
44.	202502	Lower Plate			
45.	922201	Valve Case			
*46.	OR0408AS	O-RING (2)			
47.	919302	Valve Stem			