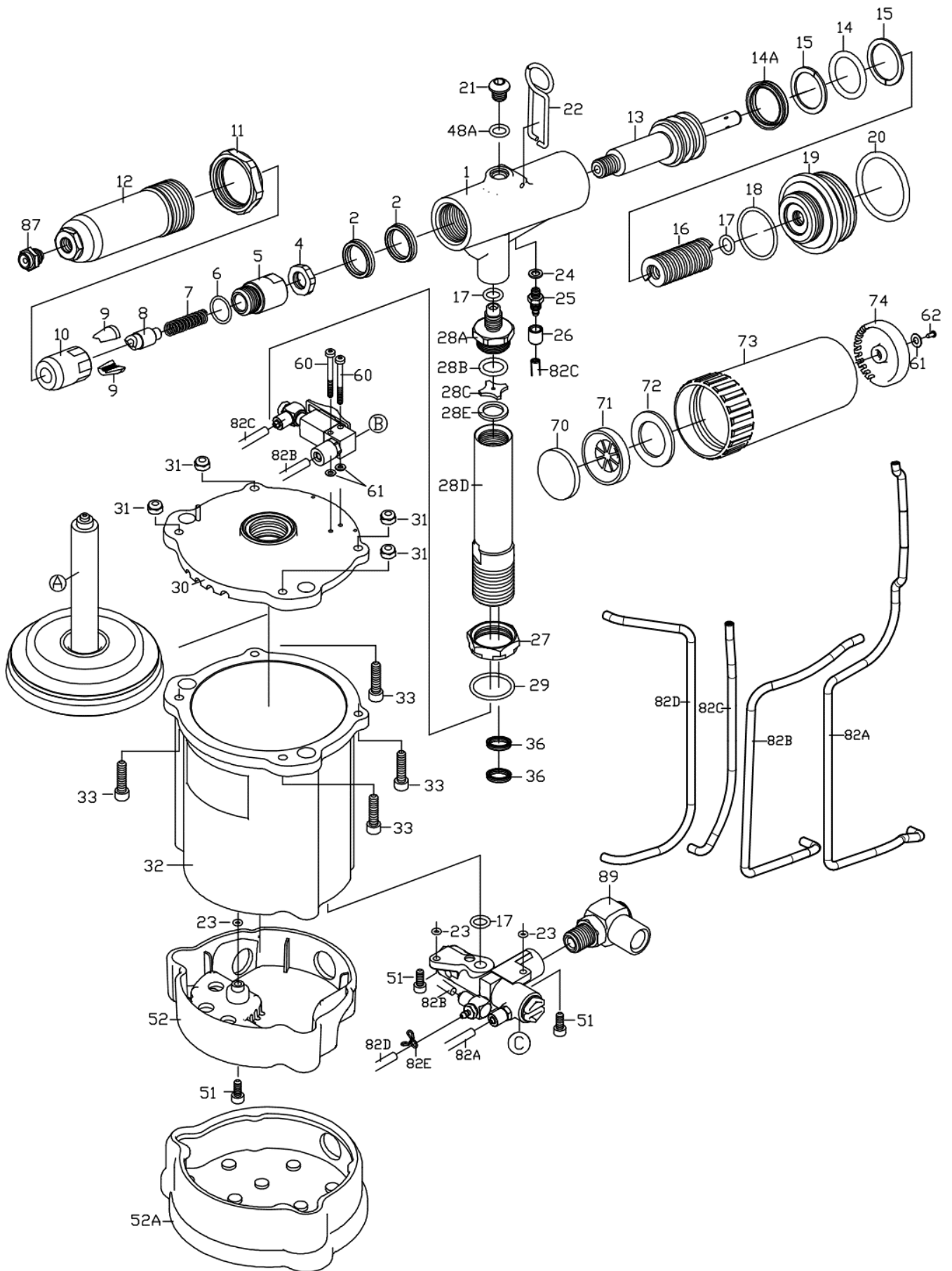
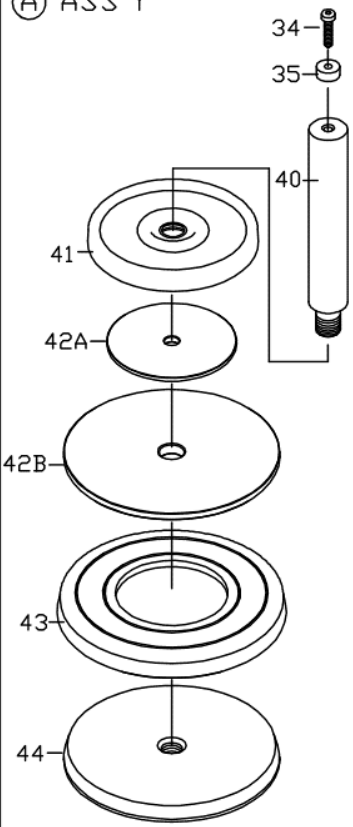


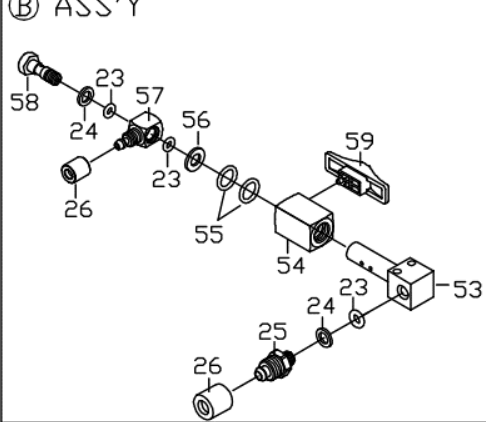
ZT1528D 1/4" (6.4MM) Air Hydraulic Riveter W/ DIGITAL MODULE



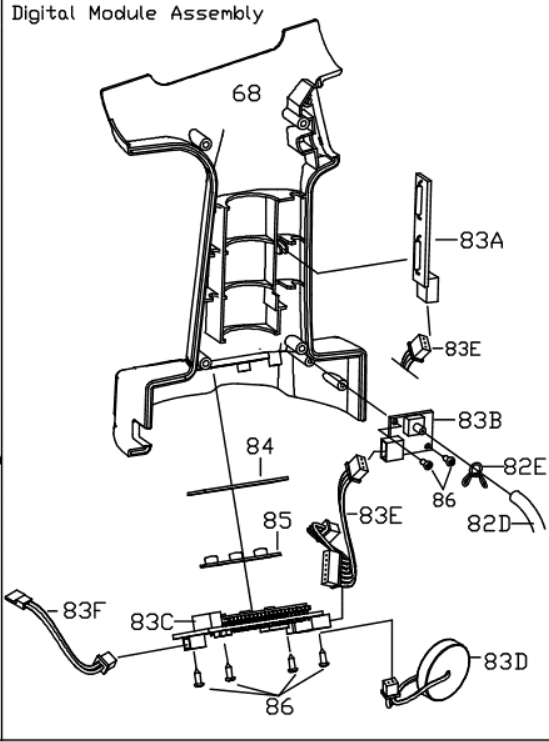
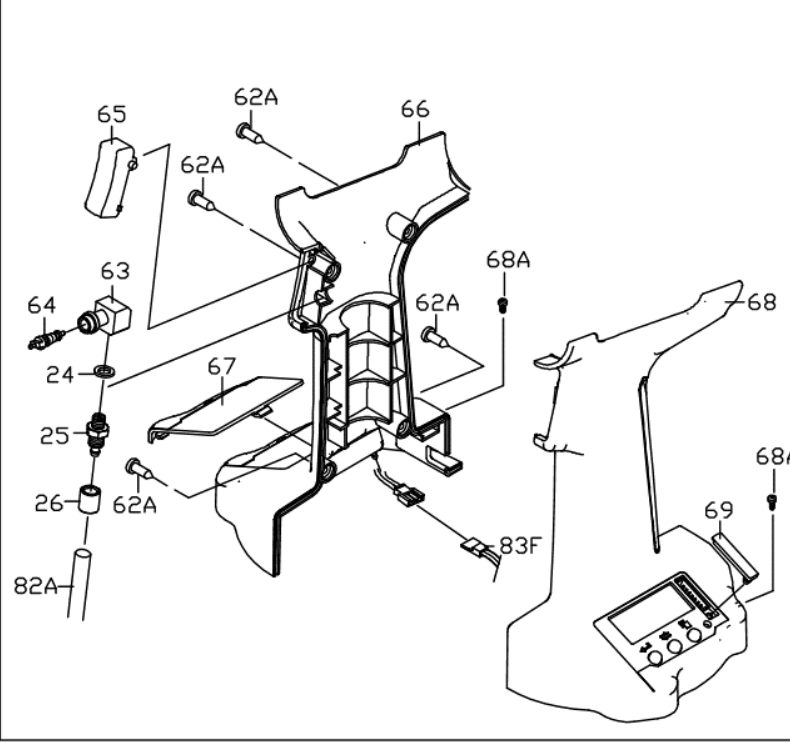
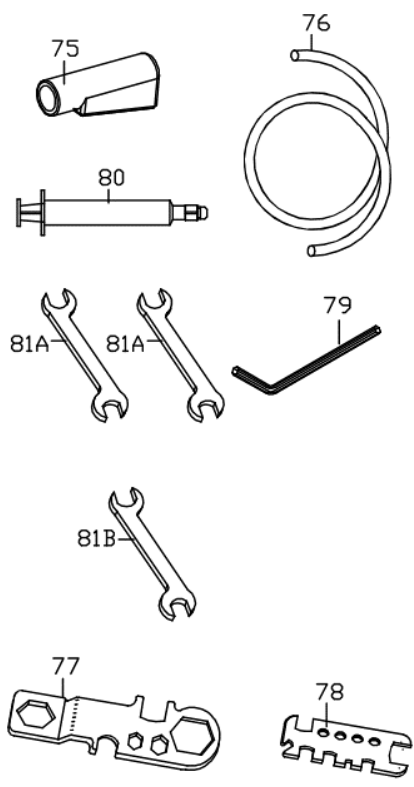
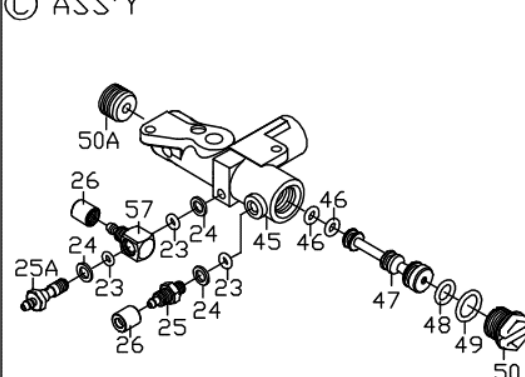
Ⓐ ASS'Y



Ⓑ ASS'Y



Ⓒ ASS'Y



ZT1528D 1/4" (6.4MM) Air Hydraulic Riveter W/ DIGITAL MODULE

TECHNICAL DATA	Traction Power	lbf(kgf)	:	3300(1500)
	Stroke Length	mm	:	28
	Net Weight	lbs(kgs)	:	5.6(2.5)
	Nosepieces Equipped	inch(mm)	:	3/16(4.8)1/4(6.4), Monobolt 3/16(4.8)1/4(6.4)
	Max. Capacity		:	Max. 1/4"(6.4mm) structural rivets in all materials

PARTS LIST

Index	Part #	Description	Index	Part #	Description
1.	528101R	Hydraulic Section	52A.	202404	Rubber Boot
*2.	MS2025	Oil Seal (2)	53.	922701	Vacuum Valve
4.	214306	Nut	54.	922702	Sleeve
5.	819305	Jaw Housing Coupler	55.	OR0811	O-RING (2)
6.	OR1417	O-RING	56.	PW0510	Washer
7.	819308	Spring	57.	612712	Swivel (2)
8.	214302	Jaw Pusher	58.	612713	Socket
*9.	819303	Jaw (2)	59.	922703	Vacuum Switch
10.	819324	Jaw Hosing	60.	HC00305020	Set Screw (2)
11.	819106	Lock Nut	61.	PW0306	Washer (3)
12.	819105	Head	62.	ST0310	Screw
13.	528301	Hydraulic Plunger	62A.	HC00305006	Set Screw (4)
*14.	OR2835	O-RING	63.	107602	Valve Body
*14A.	MS2835	Oil Seal	64.	107601	Bleeding Valve
*15.	BR2835	Back-Up Ring (2)	65.	107201R	Trigger
16.	528309	Return Spring	66.	202107RVE	Plastic Grip-Right
17.	OR0812	O-RING (3)	67.	202107C	Battery Cap
18.	OR3034	O-RING	68.	202107LVE	Plastic Grip-Left
19.	528102	Rear Gland	68A.	HR002504506	Set Screw (2)
20.	OR3542	O-RING	70.	919904	Silencer
21.	HR00812508	Set Screw	71.	919903	Muffler Seat
22.	258801	Hanger	72.	919905	Silencer
23.	OR0306	O-RING (9)	73.	919901	Mandrel Collector
24.	612714	Washer (7)	74.	919906	Muffler Cap
25.	612717	Socket (4)	75.	612901	Deflector
25A.	612713A	Socket	76.	612902	PU Tube (OPT.)
26.	612711	Cap (6)	77.	612904	Multi-Wrench (A)
27.	520106	Nut	78.	918905	Multi-Wrench (B)
28A.	5201082	Hydraulic Tube Connector-B	79.	314755	5mm Hex. Wrench
28B.	OR1417	O-RING	80.	922901	Oiler
28C.	8211012	Hydraulic Tube Washer	81A.	144905	17x19 Wrench (2)
28D.	2021081	Hydraulic Tube Connector-A	81B.	144906	19X21 Wrench
28E.	5201083	Washer	82A.	202704A	2.5x4 PU Hose(Black)
29.	OR2025	O-RING	82B.	202704B	2.5x4 PU Hose(Orange)
30.	202401RA	Upper Cover	82C.	202704C	2.5x4 PU Hose(Orange)
31.	NN005080B	Nut (4)	82D.	202704D	2.5x4 PU Hose(Black)4mm Hose
32.	202403RZ	Air Cylinder Body	82E.	258804	Loop (2)
33.	HC00508020	Set Screw (4)	83A.	202E01	Counter Sensor
*36.	MS1621	Oil Seal (2)	83B.	202E02	Pressure Sensor
40.	202501	Plunger Rod	83C.	202E03	Digital Display
41.	202505	Bumper Ring	83D.	202E04	Lithium Battery
42A.	202504	Front Head Disc A	83E.	202E05	Signal Terminal
42B.	202503	Front Head Disc B	83F.	202E06B	Power Cable - Display Terminal
43.	920505	Packing Ring	84.	202E07	Display
44.	202502	Lower Plate	85.	202E08R	Button
45.	919211	Valve Case	86.	ST0206	Screw (6)
*46.	OR0408	O-RING (2)	87.	612706	Nose Piece 3/16" (4.8mm)
47.	919202A	Valve Stem		612708	Nose Piece 1/4" (6.4mm)
*48.	OR0711	O-RING		612746	Monobolt 3/16" (4.8mm)
*48A.	OR0711A	O-RING		612748	Monobolt 1/4" (6.4mm)
*49.	OR1014	O-RING	89.	92L2	Air Inlet Assembly
50.	107409	Inlet Plug	90.	1528SK	Service Kit (opt.)
50A.	922409	Socket Screw			(No.02.09.14.14A.15.36.46.48.48A.49)
51.	HC00407010	Set Screw (3)			
52.	202402	Base			