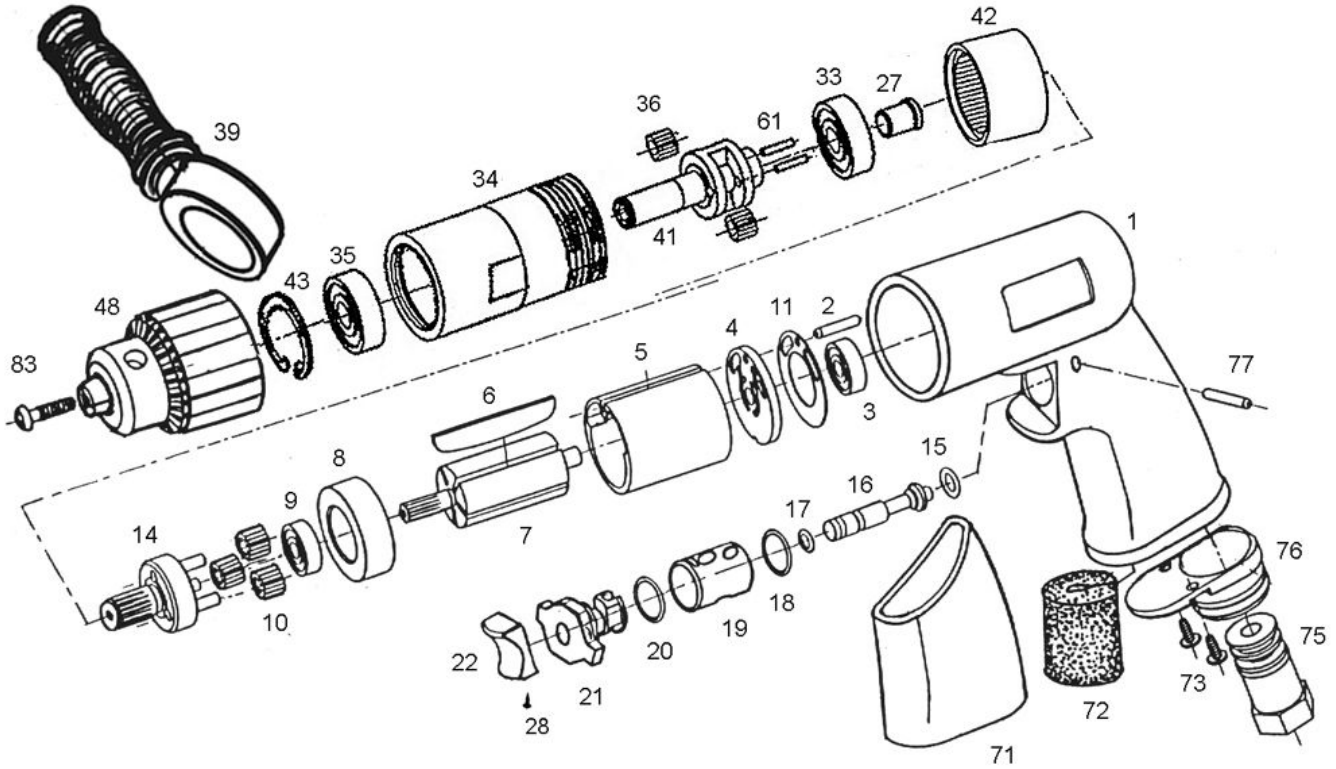


ZRD400 1/2" Industrial Air Reversible Drill



ZRD400 1/2" Industrial Air Reversible Drill

TECHNICAL DATA

Capacity: 1/2(13) inch(mm)
 Spindle Size: 3/8 " -24
 Free Speed: 410rpm.
 Avg. Air Cons: 5(141) cfm(l/min)

Net Weight: 3.8(1.7) lbs(kgs)
 Overall Length: 230 mm
 Air Inlet Size: 1/4 inch-NPT/PT
 Min. Hose Size: 3/8(10) inch(mm)

PARTS LIST

Index	Part #	Description	Q'ty	Index	Part #	Description	Q'ty
1	ZRD400-01	Motor Housing	1	34	ZRD400-34	Clamp Housing	1
2	ZRD400-02	Pin	1	35	ZRD400-35	Ball Bearing	1
3	ZRD400-03	Ball Bearing	1	36	ZRD400-36	Planet Gear	2
4	ZRD400-04	Rear Plate	1	41	ZRD400-41	Working Spindle	1
5	ZRD400-05	Cylinder	1	42	ZRD400-42	Internal Gear	1
6	ZRD400-06	Rotor Blade	5	43	ZRD400-43	Retainer Ring	1
7	ZRD400-07	Rotor	1	61	ZRD400-61	Planet Pin	2
8	ZRD400-08	Front Plate	1	71	ZRD400-71	Rubber Sleeve	1
9	ZRD400-09	Ball Bearing	1	72	ZRD400-72	Muffler	1
10	ZRD400-10	Planet Gear	3	73	ZRD400-73	Screw	2
11	ZRD400-11	Motor Gasket	1	75	ZRD400-75	Air Inlet Bushing	1
14	ZRD400-14	Rear Cage	1	76	ZRD400-76	Diffuser Exhaust	1
15	ZRD400-15	O-Ring	1	77	ZRD400-77	Pin	1
16	ZRD400-16	Valve Stem	1	83	ZRD400-83	Chuck Screw	1
17	ZRD400-17	O-Ring	1	39	ZRD400-39	Handle Ass'y	1
18	ZRD400-18	O-Ring	1				
19	ZRD400-19	Reverse Bushing	1		Optional		
20	ZRD400-20	O-Ring	1	48	ZRD400-48	1/2" Drill Chuck (1/2"-20)	1
21	ZRD400-21	Throttle Bushing	1				
22	ZRD400-22	Trigger	1				
27	ZRD400-27	Bushing	1				
28	ZRD400-28	Screw	1				
33	ZRD400-33	Ball Bearing	1				