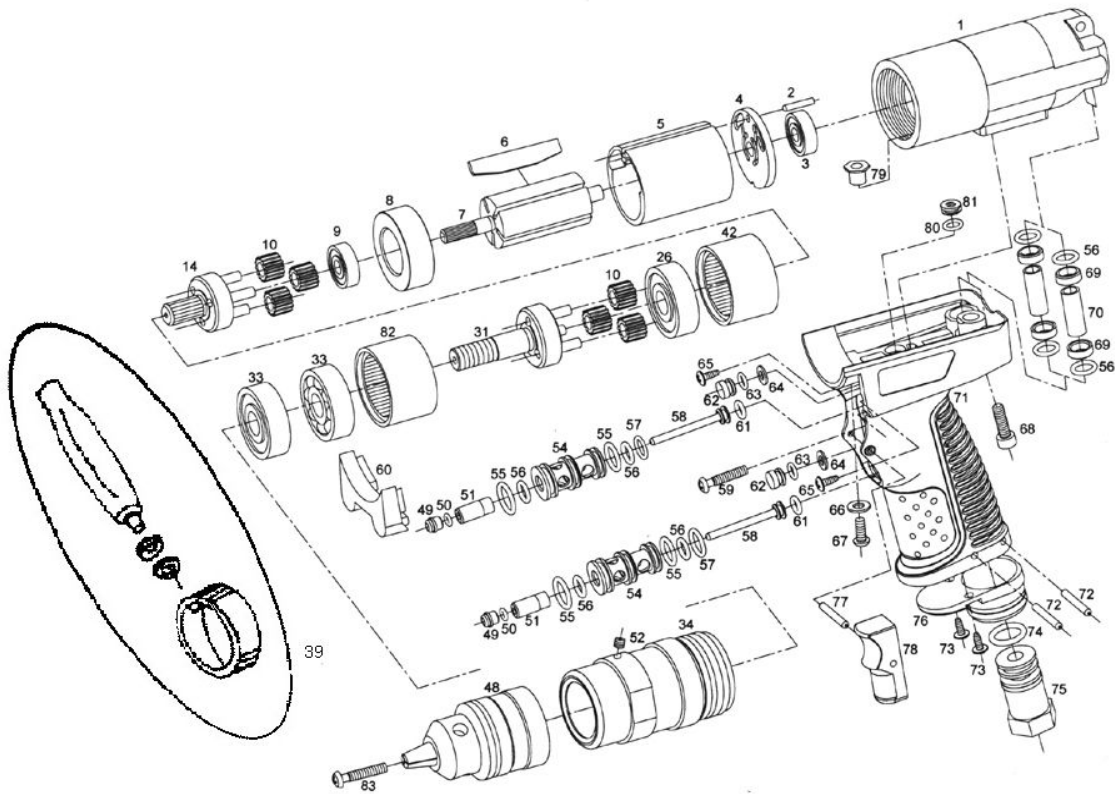


ZRD3625C 1/2" Air Reversible Drill Composite Housing



ZRD3625C 1/2" Air Reversible Drill Composite Housing

TECHNICAL DATA

Capacity: 1/2(13) inch(mm)
 Spindle Size: 3/8"-24
 Free Speed: 220rpm
 Avg. Air Cons: 5(141) cfm(l/min)

Net Weight: 3.3(1.5) lbs(kgs)
 Overall Length: 185 mm
 Air Inlet Size: 1/4 inch-NPT/PT
 Min. Hose Size: 3/8(10) inch(mm)

PARTS LIST

Index	Part #	Description	Q'ty	Index	Part #	Description	Q'ty
1	ZRD3625C-01	Motor Housing	1	64	ZRD3625C-64	Washer	2
2	ZRD3625C-02	Pin	1	65	ZRD3625C-65	Screw	2
3	ZRD3625C-03	Ball Bearing	1	66	ZRD3625C-66	Washer	1
4	ZRD3625C-04	Rear Plate	1	67	ZRD3625C-67	Screw	1
5	ZRD3625C-05	Cylinder	1	68	ZRD3625C-68	Screw	1
6	ZRD3625C-06	Rotor Blade	6	69	ZRD3625C-69	Bushing	4
7	ZRD3625C-07	Rotor	1	70	ZRD3625C-70	Tube	2
8	ZRD3625C-08	Front Plate	1	71	ZRD3625C-71	Handle	1
9	ZRD3625C-09	Ball Bearing	1	72	ZRD3625C-72	Roll Pin	2
10	ZRD3625C-10	Planet Gear	6	73	ZRD3625C-73	Screw	2
14	ZRD3625C-14	Rear Cage	1	74	ZRD3625C-74	O-Ring	1
26	ZRD3625C-26	Ball Bearing	1	75	ZRD3625C-75	Air Inlet Bushing	1
31	ZRD3625C-31	Work Spindle	1	76	ZRD3625C-76	Diffuser Exhaust	1
33	ZRD3625C-33	Ball Bearing	2	77	ZRD3625C-77	Pin	1
34	ZRD3625C-34	Clamp Housing	1	78	ZRD3625C-78	Trigger	1
42	ZRD3625C-42	Internal Gear	1	79	ZRD3625C-79	Nut	1
49	ZRD3625C-49	Sleeve Bushing	2	80	ZRD3625C-80	O-Ring	2
50	ZRD3625C-50	O-Ring	2	81	ZRD3625C-81	Plug	2
51	ZRD3625C-51	Sleeve	2	82	ZRD3625C-82	Internal Gear	1
52	ZRD3625C-52	Screw	1	83	ZRD3625C-83	Chuck Screw	1
54	ZRD3625C-54	Throttle Bushing	2	39	ZRD3625C-39	Handle Ass'y Content :	
55	ZRD3625C-55	O-Ring	4		ZRD3625C-39-1	Ring	1
56	ZRD3625C-56	O-Ring	8		ZRD3625C-39-2	Rubber Washer	2
57	ZRD3625C-57	O-Ring	2		ZRD3625C-39-3	Hand Grip	1
58	ZRD3625C-58	Valve stem	2				
59	ZRD3625C-59	Screw	1		**Optional		
60	ZRD3625C-60	Rubber Cap	1		Accessories**		
61	ZRD3625C-61	R5X19	2	48	ZRD3625C-48-1	1/2" Drill Chuck (3/8"-24)	1
62	ZRD3625C-62	Plug	2				
63	ZRD3625C-63	O-Ring	2				