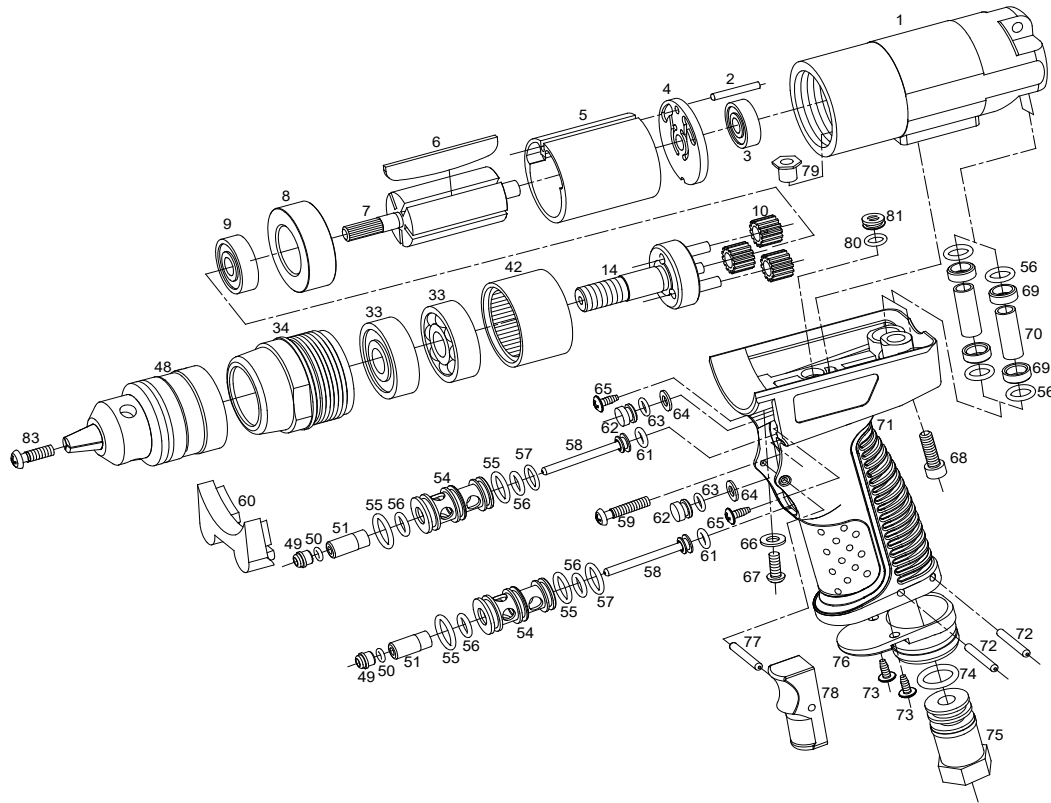


ZRD3600C 3/8" Air Reversible Drill Composite Housing



ZRD3600C 3/8" Air Reversible Drill Composite Housing

TECHNICAL

Capacity: 3/8(10) inch(mm)
 Spindle Size: 3/8 " -24
 Free Speed: 1500rpm
 Avg. Air Cons: 5(141) cfm(l/min)

Net Weight: 2.2(1)lbs(kgs)
 Overall Length: 175 mm
 Air Inlet Size: 1/4 inch-NPT/PT
 Min. Hose Size: 3/8(10) inch(mm)

DATA

PARTS LIST

Index	Part #	Description	Q'ty	Index	Part #	Description	Q'ty
1	ZRD3600C-01	Motor Housing	1	63	ZRD3600C-63	O-Ring	2
2	ZRD3600C-02	Pin	1	64	ZRD3600C-64	Washer	2
3	ZRD3600C-03	Ball Bearing	1	65	ZRD3600C-65	Screw	2
4	ZRD3600C-04	Rear Plate	1	66	ZRD3600C-66	Washer	1
5	ZRD3600C-05	Cylinder	1	67	ZRD3600C-67	Screw	1
6	ZRD3600C-06	Rotor Blade	6	68	ZRD3600C-68	Screw	1
7	ZRD3600C-07	Rotor	1	69	ZRD3600C-69	Bushing	4
8	ZRD3600C-08	Front Plate	1	70	ZRD3600C-70	Tube	2
9	ZRD3600C-09	Ball Bearing	1	71	ZRD3600C-71	Handle	1
10	ZRD3600C-10	Planet Gear	3	72	ZRD3600C-72	Roll Pin	2
14	ZRD3600C-14	Planet Cage	1	73	ZRD3600C-73	Screw	2
33	ZRD3600C-33	Ball Bearing	2	74	ZRD3600C-74	O-Ring	1
34	ZRD3600C-34	Clamp Nut	1	75	ZRD3600C-75	Air Inlet Bushing	1
42	ZRD3600C-42	Internal Gear	1	76	ZRD3600C-76	Diffuser Exhaust	1
49	ZRD3600C-49	Sleeve Bushing	2	77	ZRD3600C-77	Pin	1
50	ZRD3600C-50	O-Ring	2	78	ZRD3600C-78	Trigger	1
51	ZRD3600C-51	Sleeve	2	79	ZRD3600C-79	Nut	1
54	ZRD3600C-54	Throttle Bushing	2	80	ZRD3600C-80	O-Ring	2
55	ZRD3600C-55	O-Ring	4	81	ZRD3600C-81	Plug	2
56	ZRD3600C-56	O-Ring	8	83	ZRD3600C-83	Chuck Screw	1
57	ZRD3600C-57	O-Ring	2				
58	ZRD3600C-58	Valve stem	2		**Optional		
59	ZRD3600C-59	Screw	1		Accessories**		
60	ZRD3600C-60	Rubber Cap	1	48	ZRD3600C-48	3/8" Drill Chuck w/key	1
61	ZRD3600C-61	R5X19	2				
62	ZRD3600C-62	Plug	2				