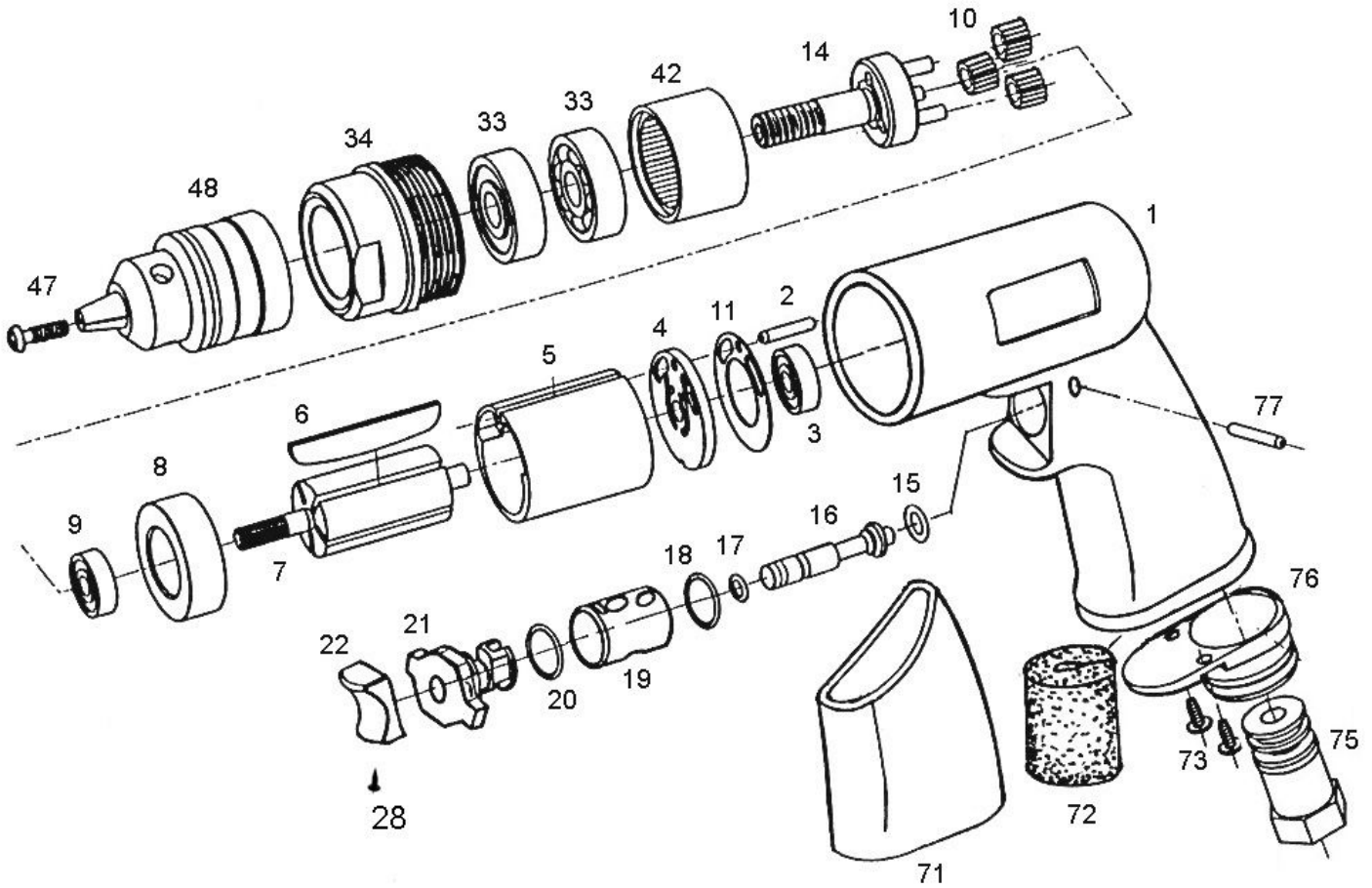


ZRD2400 3/8" Industrial Air Reversible Drill



ZRD2400 3/8" Industrial Air Reversible Drill

TECHNICAL

Capacity: 3/8(10) inch(mm)
 Spindle Size: 3/8"-24
 Free Speed: 2200-2400 rpm
 Avg. Air Cons: 5(141) cfm(l/min)

Net Weight: 2.5(1.1) lbs(kgs)
 Overall Length: 165 mm
 Air Inlet Size: 1/4 inch-NPT/PT
 Min. Hose Size: 3/8(10) inch(mm)

DATA

PARTS LIST

Index	Part #	Description	Q'ty	Index	Part #	Description	Q'ty
1	ZRD2400-01	Motor Housing	1	21	ZRD2400-21	Throttle Bushing	1
2	ZRD2400-02	Pin	1	22	ZRD2400-22	Trigger	1
3	ZRD2400-03	Ball Bearing	1	28	ZRD2400-28	Screw	1
4	ZRD2400-04	Rear Plate	1	33	ZRD2400-33	Ball Bearing	2
5	ZRD2400-05	Cylinder	1	34	ZRD2400-34	Clamp Nut	1
6	ZRD2400-06	Rotor Blade	5	42	ZRD2400-42	Internal Gear	1
7	ZRD2400-07	Rotor	1	47	ZRD2400-47	Chuck Screw	1
8	ZRD2400-08	Front Plate	1	71	ZRD2400-71	Rubber Sleeve	1
9	ZRD2400-09	Ball Bearing	1	72	ZRD2400-72	Muffler	1
10	ZRD2400-10	Planet Gear	3	73	ZRD2400-73	Screw	2
11	ZRD2400-11	Motor Gasket	1	75	ZRD2400-75	Air Inlet Bushing	1
14	ZRD2400-14	Planet Cage	1	76	ZRD2400-76	Diffuser Exhaust	1
15	ZRD2400-15	O-Ring	1	77	ZRD2400-77	Pin	1
16	ZRD2400-16	Valve Stem	1				
17	ZRD2400-17	O-Ring	1		**Optional		
18	ZRD2400-18	O-Ring	1		Accessories**		
19	ZRD2400-19	Reverse Bushing	1	48	ZRD2400-48	3/8"Drill Chuck(3/8"-24)	1
20	ZRD2400-20	O-Ring	1	48	ZRD2400-48A	3/8"Drill Chuck(3/8"-24)	1