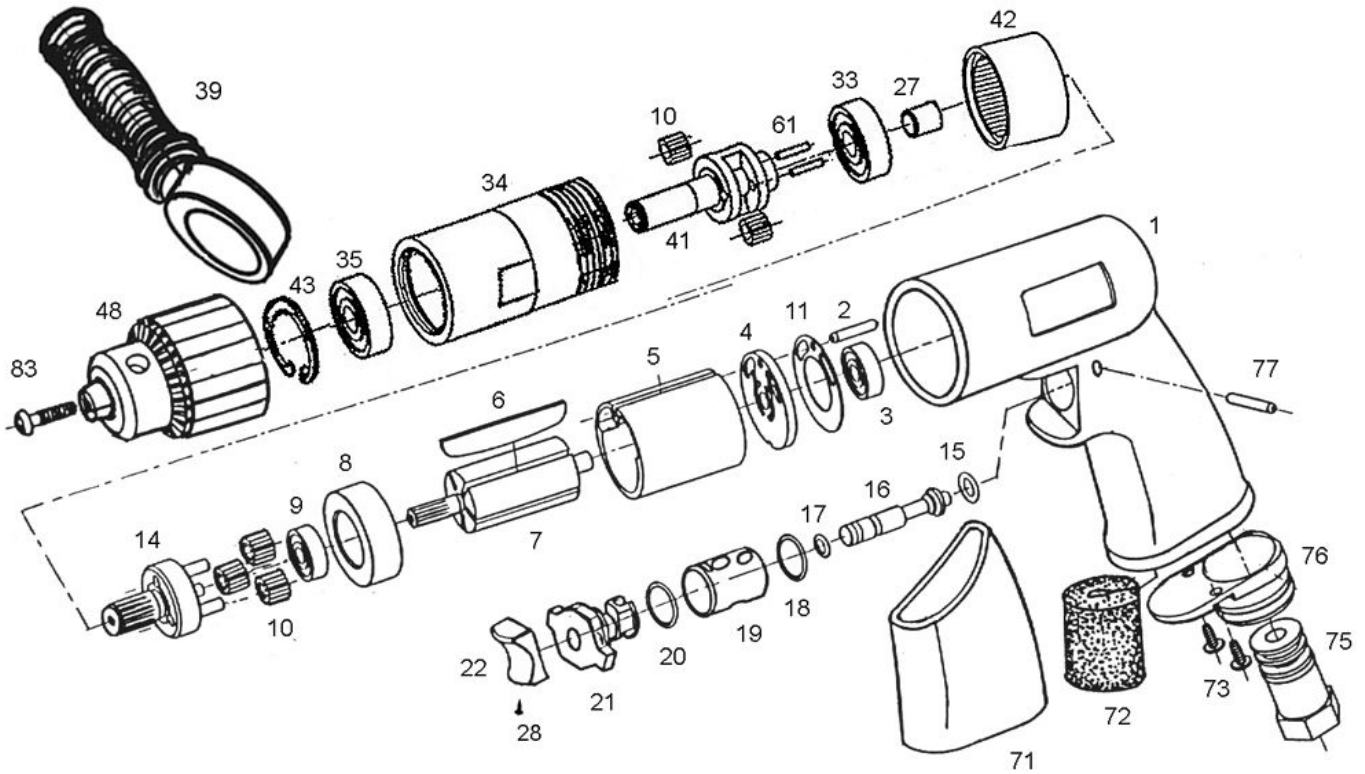


ZRD220 1/2" Industrial Air Reversible Drill



ZRD220 1/2" Industrial Air Reversible Drill

TECHNICAL DATA

Capacity: 1/2(13) inch(mm)
 Spindle Size: 3/8 " -24
 Free Speed: 220 rpm
 Avg. Air Cons: 5(141) cfm(l/min)

Net Weight: 3.8(1.7) lbs(kgs)
 Overall Length: 230 mm
 Air Inlet Size: 1/4 inch-NPT/PT
 Min. Hose Size: 3/8(10) inch(mm)

PARTS LIST

Index	Part #	Description	Q'ty	Index	Part #	Description	Q'ty
1	ZRD220-01	Motor Housing	1	34	ZRD220-34	Clamp Housing	1
2	ZRD220-02	Pin	1	35	ZRD220-35	Ball Bearing	1
3	ZRD220-03	Ball Bearing	1	41	ZRD220-41	Working Spindle	1
4	ZRD220-04	Rear Plate	1	42	ZRD220-42	Internal Gear	1
5	ZRD220-05	Cylinder	1	43	ZRD220-43	Retainer Ring	1
6	ZRD220-06	Rotor Blade	5	61	ZRD220-61	Planet Pin	2
7	ZRD220-07	Rotor	1	71	ZRD220-71	Rubber Sleeve	1
8	ZRD220-08	Front Plate	1	72	ZRD220-72	Muffler	1
9	ZRD220-09	Ball Bearing	1	73	ZRD220-73	Screw	2
10	ZRD220-10	Planet Gear	5	75	ZRD220-75	Air Inlet Bushing	1
11	ZRD220-11	Motor Gasket	1	76	ZRD220-76	Diffuser Exhaust	1
14	ZRD220-14	Planet Cage	1	77	ZRD220-77	Pin	1
15	ZRD220-15	O-Ring	1	83	ZRD220-83	Chuck Screw	1
16	ZRD220-16	Valve Stem	1	39	ZRD220-39	Handle Ass'y	1
17	ZRD220-17	O-Ring	1				
18	ZRD220-18	O-Ring	1				
19	ZRD220-19	Reverse Bushing	1				
20	ZRD220-20	O-Ring	1	48	ZRD220-48	1/2" Drill Chuck (1/2"-20)	1
21	ZRD220-21	Throttle Bushing	1				
22	ZRD220-22	Trigger	1				
27	ZRD220-27	Needle Bearing	1				
28	ZRD220-28	Screw	1				
33	ZRD220-33	Ball Bearing	1				