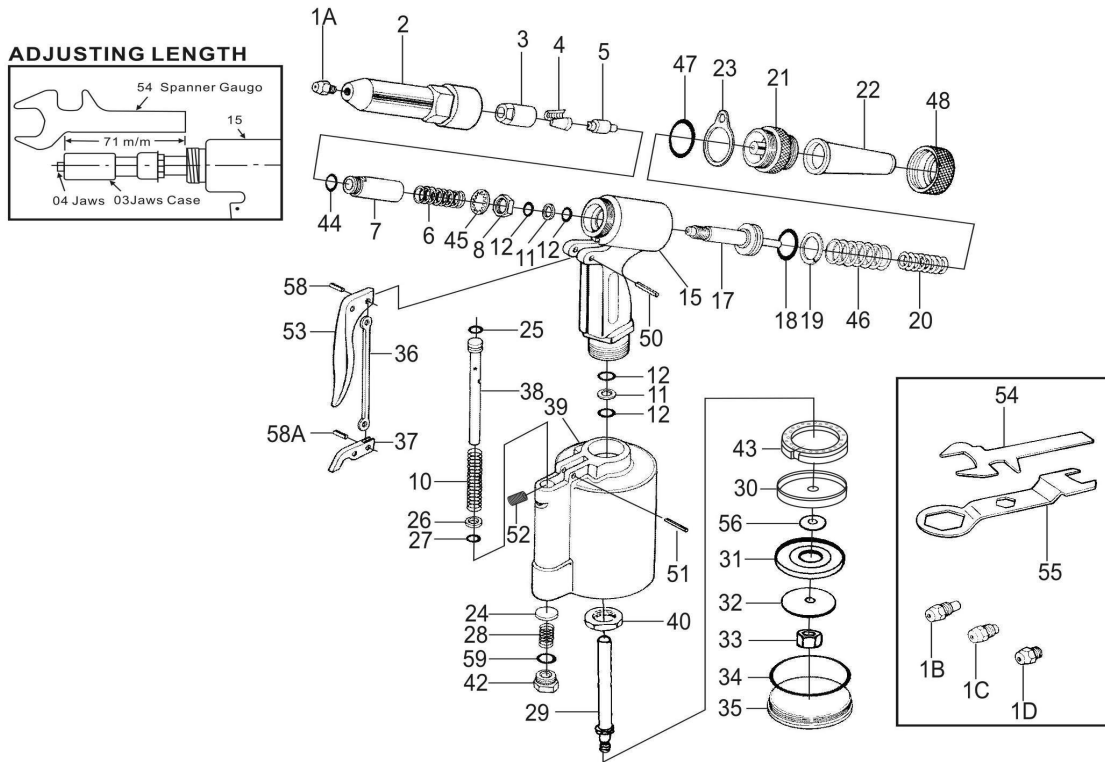


ZPR1016T 3/16" (4.8mm) Heavy Duty Air Hydraulic Riveter



ZPR1016T 3/16" (4.8mm) Heavy Duty Air Hydraulic Riveter

TECHNICAL DATA		Traction Power	lbf(kgf)	: 2304 (1045)
	Stroke Length	mm		16mm
	Capacity			: 3/32"(2.4mm)~ 3/16"(4.8mm)
	Air Pressure	PSI		: 78-85
	Net Weight	lbs(kgs)		3.17(1.44)

PARTS LIST

Index	Part #	Description	Index	Part #	Description
*1A.	ZPR1016T-1A	Nose Piece 4.8m/m(3/16")	31	ZPR1016T-31	Cup Packing
*1B.	ZPR1016T-1B	Nose Piece 4.0m/m(5/32")	*32	ZPR1016T-32	Piston Washer
*1C.	ZPR1016T-1C	Nose Piece 3.2m/m(1/8")	33	ZPR1016T-33	Lock Nut
*1D	ZPR1016T-1D	Nose Piece 2.4m/m(3/32")	*34	ZPR1016T-34	O-Ring
2	ZPR1016T-2	Nose Housing 87L	35	ZPR1016T-35	Air Cylinder Cap
2L	ZPR1016T-2L	Long Nose Housing 160L(opt.)	36	ZPR1016T-36	Trigger Connector Rod
*3	ZPR1016T-3	Jaws Case	37	ZPR1016T-37	Trigger Lever
*4.	ZPR1016T-4	Jaws (5 x 10)(2)	38	ZPR1016T-38	Valve Pusher Tube
*5.	ZPR1016T-5	Jaw Pusher	39	ZPR1016T-39	Air Cylinder Cap
*6.	ZPR1016T-6	Jaw Pusher spring	40	ZPR1016T-40	Frame Lock Nut
*7	ZPR1016T-7	Jaw Case Back Part	42	ZPR1016T-42	End Plug
7L.	ZPR1016T-7L	Long Jaw Case Back Part(opt.)	43	ZPR1016T-43	Bumper
8.	ZPR1016T-8	Jaw Case Lock Nut	*44	ZPR1016T-44	O-Ring
10.	ZPR1016T-10	Valve Pusher Spring	45	ZPR1016T-45	Lock Washer (Aw)
*11.	ZPR1016T-11	Back Up Ring(2)	46	ZPR1016T-46	Return Spring (Outer)
*12.	ZPR1016T-12	O-Ring(4)	47	ZPR1016T-47	O-Ring
15.	ZPR1016T-15	Frame	48	ZPR1016T-48	Safety Cap Nut
17.	ZPR1016T-17	Oil Piston	50	ZPR1016T-50	Spring Pin
*18.	ZPR1016T-18	O Ring	51	ZPR1016T-51	Level Pin
*19.	ZPR1016T-19	B-Ring	52	ZPR1016T-52	Lock Screw
20.	ZPR1016T-20	Return Spring (Inner)	53	ZPR1016T-53	Trigger (Long)
21.	ZPR1016T-21	Frame Cap	54	ZPR1016T-54	Spanner Gauge 17, 15, 71
22.	ZPR1016T-22	Safety Cap	55	ZPR1016T-55	Spanner 24, 15, 10
23.	ZPR1016T-23	Hanger Clip	56	ZPR1016T-56	Piston Washer Seat
24.	ZPR1016T-24	Valve (Disc)	58	ZPR1016T-58	Spring Pin
*25.	ZPR1016T-25	O Ring	58A	ZPR1016T-58A	Spring Pin
26.	ZPR1016T-26	Collar For Valve Pusher	59	ZPR1016T-59	O-Ring
27.	ZPR1016T-27	O-Ring			
28.	ZPR1016T-28	Valve Spring			
29.	ZPR1016T-29	Air Piston Rod			
30.	ZPR1016T-30	Bumper Seat			