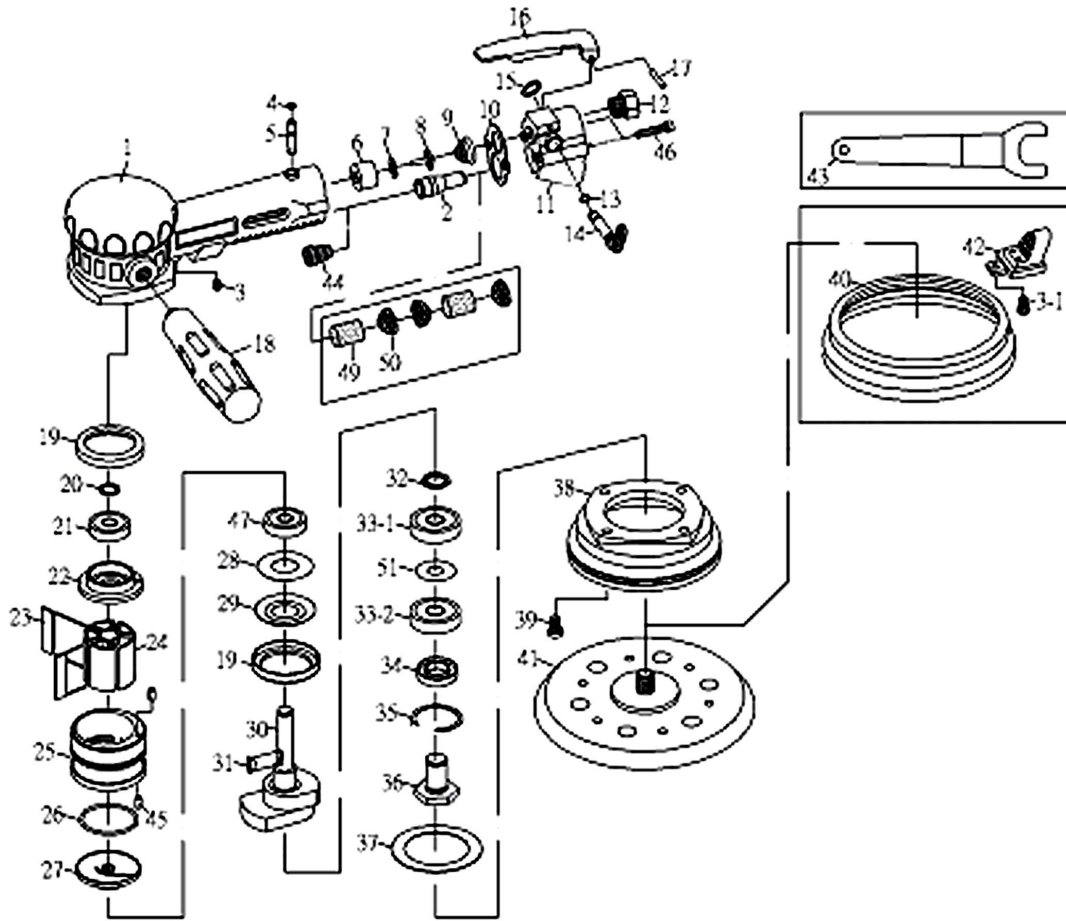


# ZP349-6 6" 2-Hand Random Orbital Sander(Non-vacuum)



## ZP349-6 6" 2-Hand Random Orbital Sander(Non-vacuum)

<b>TECHNICAL DATA</b>	Diameter Orbit mm	: 10
	Noise Level dBA	: 80
	Weight kg	: 1.3
	Vibration m/s <sup>2</sup>	: 0.8
	RPM	: 9,000
	Air Inlet inch	: 1/4
	Min. Hose Size inch	: 3/8
	Avg. Air Cons. cfm	: 15

### PARTS LIST

Index #	Part #	Description	Index #	Part #	Description
1	ZP349-6-01	Housing	26	ZP349-6-26	O-Ring
2	ZP349-6-02	Muffler Body	27	ZP349-6-27	Front Plate
3	ZP349-6-03	Screw (M4*8)	28	ZP349-6-28	Washer
3-1	ZP349-6-03-1	Screw (M4*12)	29	ZP349-6-29	Washer
4	ZP349-6-04	O-Ring	30	ZP349-6-30	Shaft Balancer
5	ZP349-6-05	Valve Stem	31	ZP349-6-31	Rotor Key
6	ZP349-6-06	Bushing	32	ZP349-6-32	Snap Ring
7	ZP349-6-07	Washer	33-1	ZP349-6-33-1	Bearing (6001lu)
8	ZP349-6-08	Valve	33-2	ZP349-6-33-2	Bearing (6001)
9	ZP349-6-09	Spring	34	ZP349-6-34	Shaft Seal
10	ZP349-6-10	Packing	35	ZP349-6-35	Snap Ring
11	ZP349-6-11	Housing Back Seat	36	ZP349-6-36	Shaft
12	ZP349-6-12	Air Inlet	37	ZP349-6-37	Washer
13	ZP349-6-13	O-Ring	38	ZP349-6-38	Housing Cover
14	ZP349-6-14	Regulator	39	ZP349-6-39	Screw(M5*12)
15	ZP349-6-15	Snap Ring	40	ZP349-6-40	Shroud
16	ZP349-6-16	Lever	41	ZP349-6-41	Pad 6"
17	ZP349-6-17	Pin(3*40l)	42	ZP349-6-42	Exhaust Sleeve
18	ZP349-6-18	Handle	43	ZP349-6-43	Stop Spanner
19	ZP349-6-19	Rubber Bushing	44	ZP349-6-44	Cone Muffler
20	ZP349-6-20	Snap Ring	45	ZP349-6-45	Pin (3*8)
21	ZP349-6-21	Bearing(6000zz)	46	ZP349-6-46	Screw(M4*20)
22	ZP349-6-22	Rear Plate	47	ZP349-6-47	Bearing(6002zz)
23	ZP349-6-23	Rotor Blade	49	ZP349-5-49	Noise Elimination Poly Fiber
24	ZP349-6-24	Rotor	50	ZP349-5-50	Noise Elimination Staibless Mesh
25	ZP349-6-25	Cylinder	51	ZP349-5-51	Shim