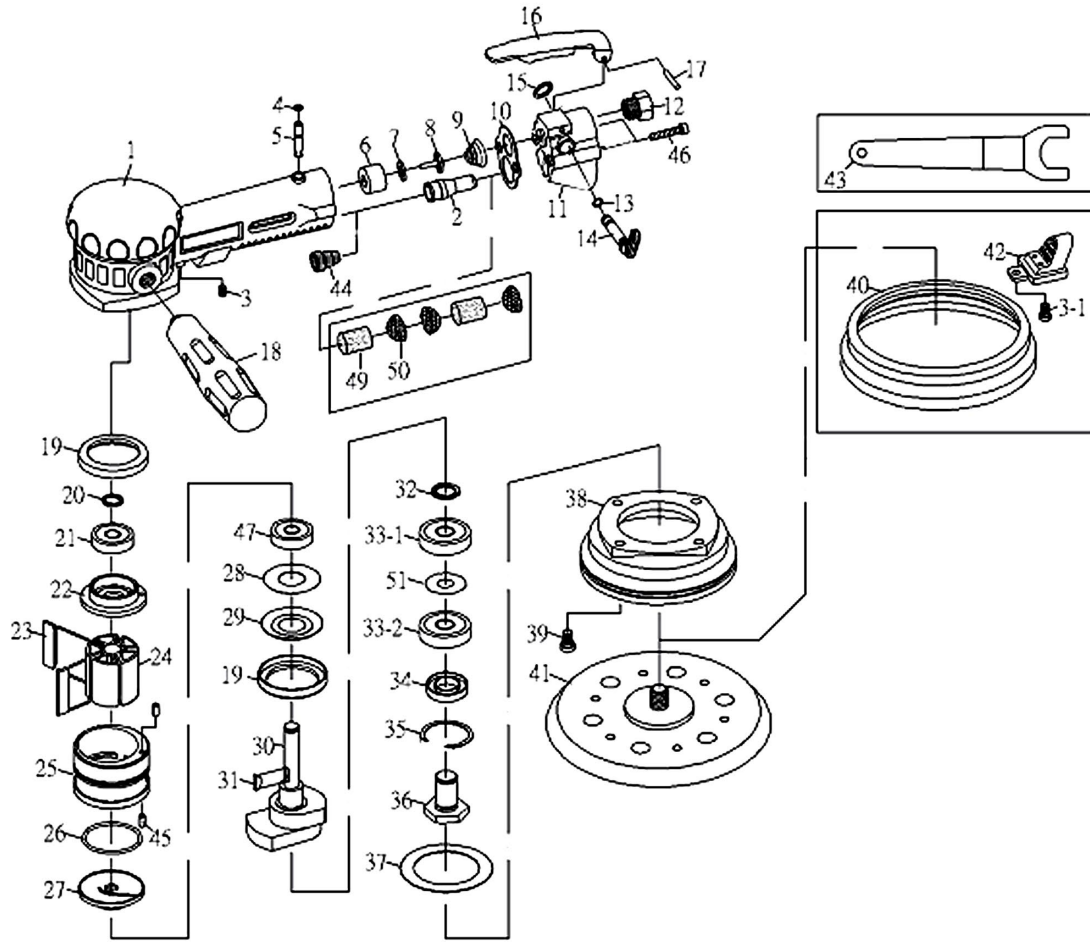


# ZP347-6 6" 2-Hand Random Orbital Sander(Non-vacuum)



## ZP347-6 6" 2-Hand Random Orbital Sander(Non-vacuum)

<b>TECHNICAL DATA</b>	Diameter Orbit mm	: 5
	Noise Level dBA	: 80
	Weight kg	: 1.3
	Vibration m/s <sup>2</sup>	: 0.8
	RPM	: 9,000
	Air Inlet inch	: 1/4
	Min. Hose Size inch	: 3/8
	Avg. Air Cons. cfm	: 15

## PARTS LIST

Index #	Part #	Description	Index #	Part #	Description
1.	ZP347-6-01	House	26.	ZP347-6-26	O-Ring
2.	ZP347-6-02	Muffer Body	27.	ZP347-6-27	Front Plate
3.	ZP347-6-03	Screw (M4*8)	28.	ZP347-6-28	Washer
3-1.	ZP347-6-03-1	Screw (M4*12)	29.	ZP347-6-29	Washer
4.	ZP347-6-04	O-Ring	30.	ZP347-6-30	Shaft Balancer
5.	ZP347-6-05	Valve Stem	31.	ZP347-6-31	Rotor Key
6.	ZP347-6-06	Bushing	32.	ZP347-6-32	Snap Ring
7.	ZP347-6-07	Washer	33-1.	ZP347-6-33-1	Bearing (6001LU)
8.	ZP347-6-08	Valve	33-2	ZP347-6-33-2	Bearing (6001)
9.	ZP347-6-09	Spring	34.	ZP347-6-34	Shaft Seal
10.	ZP347-6-10	Packing	35.	ZP347-6-35	Snap Ring
11.	ZP347-6-11	Housing Back Seat	36.	ZP347-6-36	Shaft
12.	ZP347-6-12	Air Inlet	37.	ZP347-6-37	Washer
13.	ZP347-6-13	O-Ring	38.	ZP347-6-38	Housing Cover
14.	ZP347-6-14	Regulator	39.	ZP347-6-39	Screw(M5*12)
15.	ZP347-6-15	Snap Ring	40.	ZP347-6-40	Shroud
16.	ZP347-6-16	Lever	41.	ZP347-6-41	Pad 6"
17.	ZP347-6-17	Pin(3*40L)	42.	ZP347-6-42	Exhaust Sleeve
18.	ZP347-6-18	Handle	43.	ZP347-6-43	Stop Spanner
19.	ZP347-6-19	Rubber Bushing	44.	ZP347-6-44	Cone Muffer
20.	ZP347-6-20	Snap Ring	45.	ZP347-6-45	Pin (3*8)
21.	ZP347-6-21	Bearing(6000ZZ)	46.	ZP347-6-46	Screw(M4*20)
22.	ZP347-6-22	Rear Plate	47.	ZP347-6-47	Bearing(6002ZZ)
23.	ZP347-6-23	Rotor Blade	49.	ZP347-6-49	Noise Elimination Poly Fiber
24.	ZP347-6-24	Rotor	50.	ZP347-6-50	Noise Elimination Staibless Mesh
25.	ZP347-6-25	Cylinder	51.	ZP347-6-51	Shim