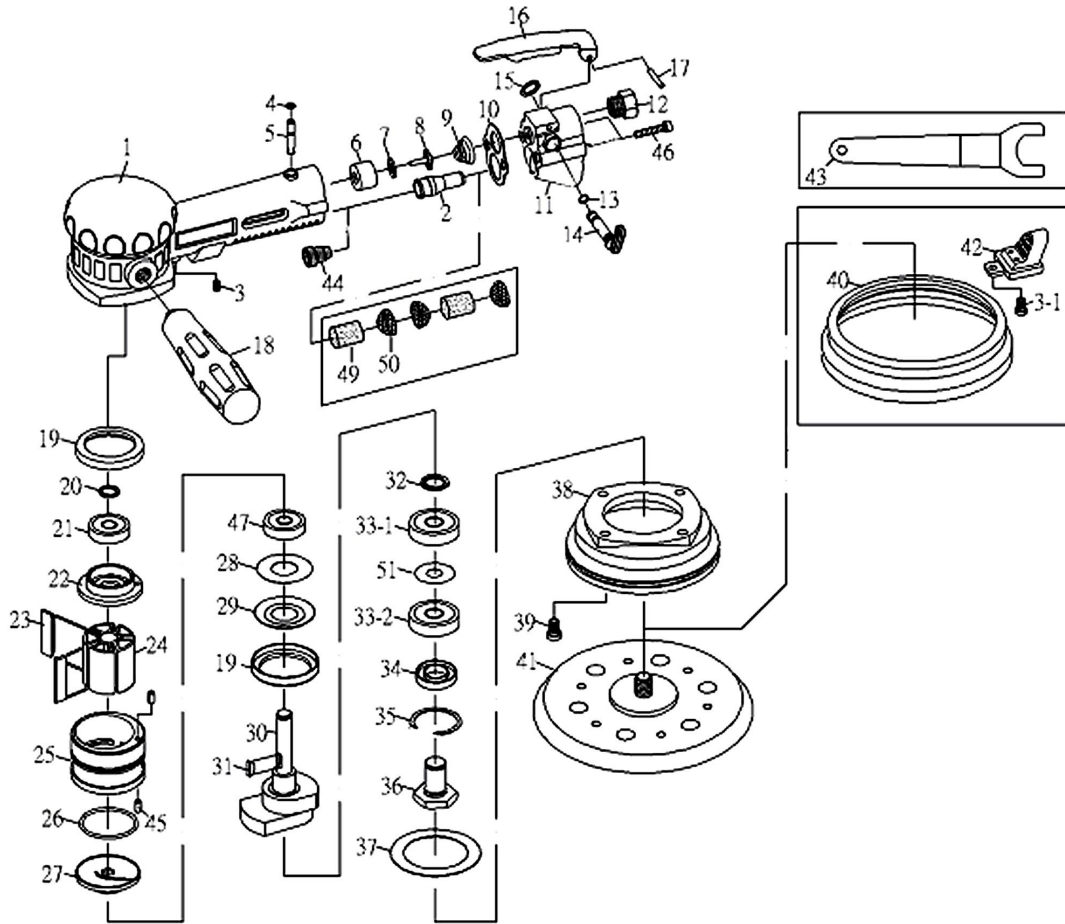


ZP347-5 5" 2-Hand Random Orbital Sander(Non-vacuum)



ZP347-5 5" 2-Hand Random Orbital Sander(Non-vacuum)

TECHNICAL DATA	Diameter Orbit mm	: 5
	Noise Level dBA	: 80
	Weight kg	: 1.3
	Vibration m/s ²	: 0.8
	RPM	: 9,000
	Air Inlet inch	: 1/4
	Min. Hose Size inch	: 3/8
	Avg. Air Cons. cfm	: 15

PARTS LIST

Index #	Part #	Description	Index #	Part #	Description
1.	ZP347-5-01	House	26.	ZP347-5-26	O-Ring
2.	ZP347-5-02	Muffer Body	27.	ZP347-5-27	Front Plate
3.	ZP347-5-03	Screw (M4*8)	28.	ZP347-5-28	Washer
3-1.	ZP347-5-03-1	Screw (M4*12)	29.	ZP347-5-29	Washer
4.	ZP347-5-04	O-Ring	30.	ZP347-5-30	Shaft Balancer
5.	ZP347-5-05	Valve Stem	31.	ZP347-5-31	Rotor Key
6.	ZP347-5-06	Bushing	32.	ZP347-5-32	Snap Ring
7.	ZP347-5-07	Washer	33-1	ZP347-5-33-1	Bearing (6001LU)
8.	ZP347-5-08	Valve	33-2.	ZP347-5-33-2	Bearing(6001)
9.	ZP347-5-09	Spring	34.	ZP347-5-34	Shaft Seal
10.	ZP347-5-10	Packing	35.	ZP347-5-35	Snap Ring
11.	ZP347-5-11	Housing Back Seat	36.	ZP347-5-36	Shaft
12.	ZP347-5-12	Air Inlet	37.	ZP347-5-37	Washer
13.	ZP347-5-13	O-Ring	38.	ZP347-5-38	Housing Cover
14.	ZP347-5-14	Regulator	39.	ZP347-5-39	Screw(M5*12)
15.	ZP347-5-15	Snap Ring	40.	ZP347-5-40	Shroud
16.	ZP347-5-16	Lever	41.	ZP347-5-41	Pad 5"
17.	ZP347-5-17	Pin(3*40L)	42.	ZP347-5-42	Exhaust Sleeve
18.	ZP347-5-18	Handle	43.	ZP347-5-43	Stop Spanner
19.	ZP347-5-19	Rubber Bushing	44.	ZP347-5-44	Cone Muffer
20.	ZP347-5-20	Snap Ring	45.	ZP347-5-45	Pin (3*8)
21.	ZP347-5-21	Bearing(6000ZZ)	46.	ZP347-5-46	Screw(M4*20)
22.	ZP347-5-22	Rear Plate	47.	ZP347-5-47	Bearing(6002ZZ)
23.	ZP347-5-23	Rotor Blade	49.	ZP347-5-49	Noise Elimination Poly Fiber
24.	ZP347-5-24	Rotor	50.	ZP347-5-50	Noise Elimination Staibless Mesh
25.	ZP347-5-25	Cylinder	51.	ZP347-5-51	Shim