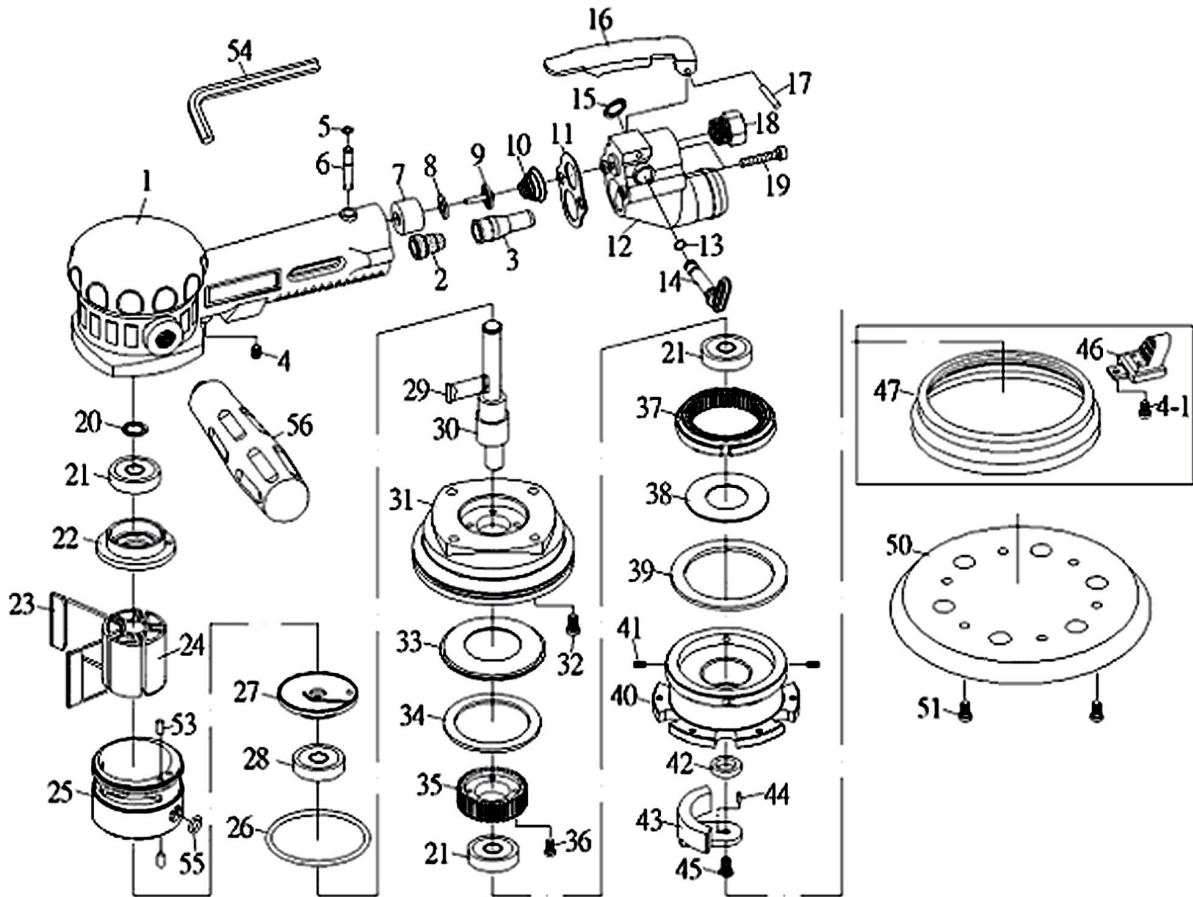


# ZP337-6 6" 2-Hand Non-vacuum Sander(Gear-driven)



## ZP337-6 6" 2-Hand Non-vacuum Sander(Gear-driven)

<b>TECHNICAL DATA</b>	Pad Dia inch (mm)	: 6(152)
	Weight lbs. (kg)	: 3.1(1.4)
	Diameter Orbit	: 5
	Noise Level dBA	: 78
	Vibration m/s2	: 1.2
	Free Speed R.P.M.	: 1000
	Avg. Air Cons cfm (l/min)	: 15 (427)

### PARTS LIST

Index #	Part #	Description	Index #	Part #	Description
01	ZP337-6-01	Housing	27	ZP337-6-27	Front Plate
02	ZP337-6-02	Cone Muffler	28	ZP337-6-28	Bearing (6002zz)
03	ZP337-6-03	Muffler Body	29	ZP337-6-29	Rotor Key
04	ZP337-6-04	Screw	30	ZP337-6-30	Motor Shaft Balancer
4-1	ZP337-6-04-1	Screw	31	ZP337-6-31	Housing Cover
05	ZP337-6-05	O-Ring(3.5*1.4)	32	ZP337-6-32	Screw
06	ZP337-6-06	Valve Stem	33	ZP337-6-33	Faceplate
07	ZP337-6-07	Bushing	34	ZP337-6-34	Dustproof Washer
08	ZP337-6-08	Washer	35	ZP337-6-35	Gear
09	ZP337-6-09	Valve	36	ZP337-6-36	Screw(M3*10)
10	ZP337-6-10	Spring	37	ZP337-6-37	Gear Link
11	ZP337-6-11	Packing	38	ZP337-6-38	Washer
12	ZP337-6-12	Housing Back Seat	39	ZP337-6-39	Dustproof Washer
13	ZP337-6-13	O-Ring	40	ZP337-6-40	Gear Seat
14	ZP337-6-14	Regulator	41	ZP337-6-41	Screw
15	ZP337-6-15	Snap Ring	42	ZP337-6-42	Bushing
16	ZP337-6-16	Lever	43	ZP337-6-43	Balancer
17	ZP337-6-17	Pin(3*40l)	44	ZP337-6-44	Pin(2*10)
18	ZP337-6-18	Air Inlet	45	ZP337-6-45	Screw
19	ZP337-6-19	Screw + Washer	46	ZP337-6-46	Exhaust Sleeve
20	ZP337-6-20	Snap Ring	47	ZP337-6-47	Shroud
21	ZP337-6-21	Bearing (6000zz)	50	ZP337-6-50	Pad (6")
22	ZP337-6-22	Rear Plate	51	ZP337-6-51	Screw
23	ZP337-6-23	Rotor Blade	53	ZP337-6-53	Pin
24	ZP337-6-24	Rotor	54	ZP337-6-54	Hex (3mm)
25	ZP337-6-25	Cylinder	55	ZP337-6-55	O-Ring
26	ZP337-6-26	O-Ring(43.7*3.5)	56	ZP337-6-56	Handle