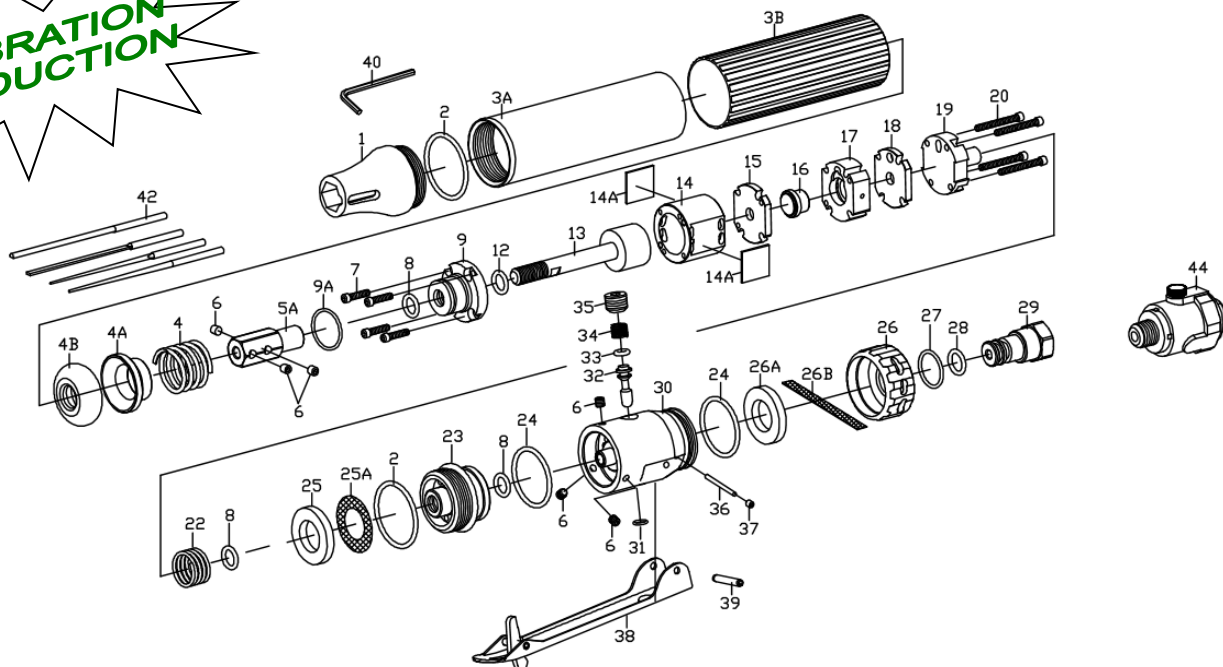


ZF-5MTE Finishing Air File

**VIBRATION
REDUCTION**



ZF-5MTE Finishing Air File

TECHNICAL DATA	Operating Air Pressure bar(psi)	: 6.2 (90)
	Strokes Per Minute @90psi B.P.M.	: 11,000
	Stroke Length mm	: 5
	Avg. Air Consumption cfm(l/min)	: 2.82 (80)
	Air Inlet Size inch-NPT/PT	: 1/4
	Min. Hose Size inch	: 3/8
	Net Weight kgs(lbs)	: 0.33 (0.73)
	Sound Pressure dBA	: 83
	Vibration m/s ²	: 3.6
	Standard Accessories Include	: 1 pc of 2.5mm Hex Wrench : 1 pc each of Φ 5mm diameter shank regular files - rectangular, round, half round, triangular

PARTS LIST

Index	Part #	Description	Index	Part#	Description
1.	210M102	Front Head	*25.	210M725	Muffler
2.	OR2225	O-Ring (2)	25A.	210M706	Filter
3A.	210M101	Body	26.	311M105	Exhaust Deflector
3B.	210M118T	Rubber Sleeve	*26A.	210M705	Muffler
4.	311M607	Spring	26B.	210M716	Filter
4A.	210M109	Spring Holder	27.	OR1619	O-Ring
4B.	193426	Bumper	*28.	OR0913	O-Ring
5A.	210M905	5mm File Holder	29.	311M702	Air Inlet Nipple
6.	HS00508005	Set Screw (6)	30.	210M107	Admission Valve Main Body
*7.	HC00305012E	Front Dowel Pin (4)	31.	OR0507	O-Ring
*8.	OR0812	O-Ring (2)	32.	311M602	Valve Stem
9.	210M403	Cylinder Head Ass'y	33.	OR0307	O-Ring
9A.	OR1518	O-Ring	34.	318603	Spring
*12.	OR0611	O-Ring	35.	HS01802808	Set Screw
13.	205M402	Piston Ass'y	36.	PR2012	Front Dowel Pin
14.	205M401	Cylinder	37.	HS00305003	Set Screw
*14A.	210M715	Muffler	38.	316611	Safety Lever Ass'y
15.	205M404	Cylinder End Plate	39.	SP3020	Spring Pin(3x20)
16.	314302	Automatic Valve	40.	201925	2.5mm Hex Wrench
17.	311M301	Valve Chest	42.	325901	5mm Shank File-Rectangular
18.	311M303	Valve Seat		325902	5mm Shank File-Round
19.	210M304	Valve Case		325903	5mm Shank File-Half Round
*20.	HC00305024E	Rear Dowel Pin (4)		325904	5mm Shank File-Triangular
22.	315608	Spring	44.	CA-1025B	1/4" Mini Oiler
23.	210M104	Air Inlet			
24.	OR2630	O-Ring (2)			