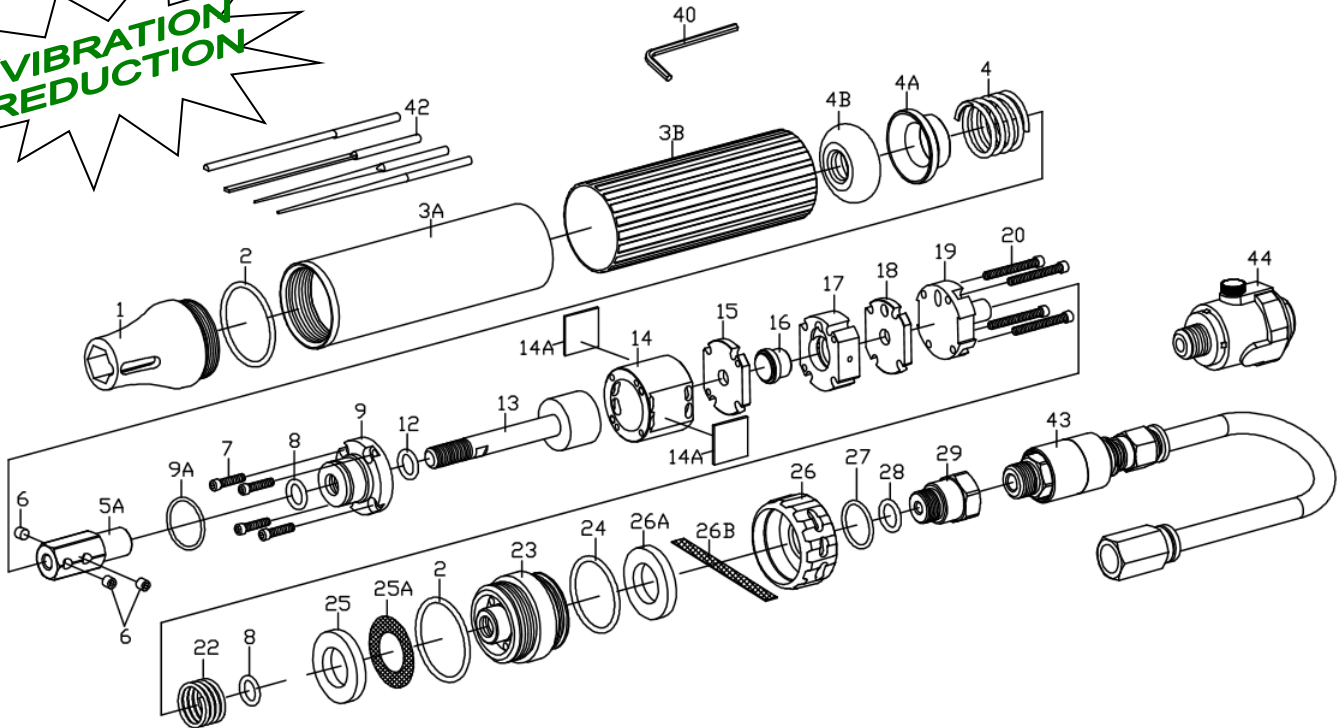


## ZF-5ME Finishing Air File



## ZF-5ME Finishing Air File

<b>TECHNICAL DATA</b>	Operating Air Pressure bar(psi)	: 6.2 ( 90 )
	Strokes Per Minute @90psi B.P.M.	: 11,000
	Stroke Length mm	: 5
	Avg. Air Consumption cfm(l/min)	: 2.82 (80)
	Air Inlet Size inch-NPT/PT	: 1/4
	Min. Hose Size inch	: 3/8
	Net Weight kgs(lbs)	: 0.33 (0.73)
	Sound Pressure dBA	: 83
	Vibration m/s <sup>2</sup>	: 3.6
	Standard Accessories Include	: 1 pc of 2.5mm Hex Wrench
		: 1 pc each of $\Phi$ 5mm diameter shank regular files - rectangular, round, half round, triangular

## PARTS LIST

Index	Part #	Description	Index	Part#	Description
1.	210M102	Front Head	19.	210M304	Valve Case
2.	OR2225	O-Ring (2)	*20.	HC00305024E	Rear Dowel Pin (4)
3A.	210M101	Body	22.	315608	Spring
3B.	210M118	Rubber Sleeve	23.	210M103	Air Inlet
4.	311M607	Spring	24.	OR2630	O-Ring
4A.	210M109	Spring Holder	*25.	210M725	Muffler
4B.	193426	Bumper	25A.	210M706	Filter
5A.	210M905	5mm File Holder	26.	311M105	Exhaust Deflector
6.	HS00508005	Set Screw (3)	*26A.	210M705	Muffler
*7.	HC00305012E	Front Dowel Pin (4)	26B.	210M716	Filter
*8.	OR0812	O-Ring (2)	27.	OR1619	O-Ring
9.	210M403	Cylinder Head Ass'y	*28.	OR0912	O-Ring
9A.	OR1518	O-Ring	29.	210M702	Air Inlet
*12.	OR0611	O-Ring	40.	201925	2.5mm Hex Wrench
13.	205M402	Piston Ass'y	42.	325901	5mm Shank File-Rectangular
14.	205M401	Cylinder		325902	5mm Shank File-Round
*14A.	210M715	Muffler		325903	5mm Shank File-Half Round
15.	205M404	Cylinder End Plate		325904	5mm Shank File-Triangular
16.	314302	Automatic Valve	43.	821A19	Roll Switch + Hose
17.	311M301	Valve Chest	44.	CA-1025B	1/4" Mini Oiler
18.	311M303	Valve Seat			