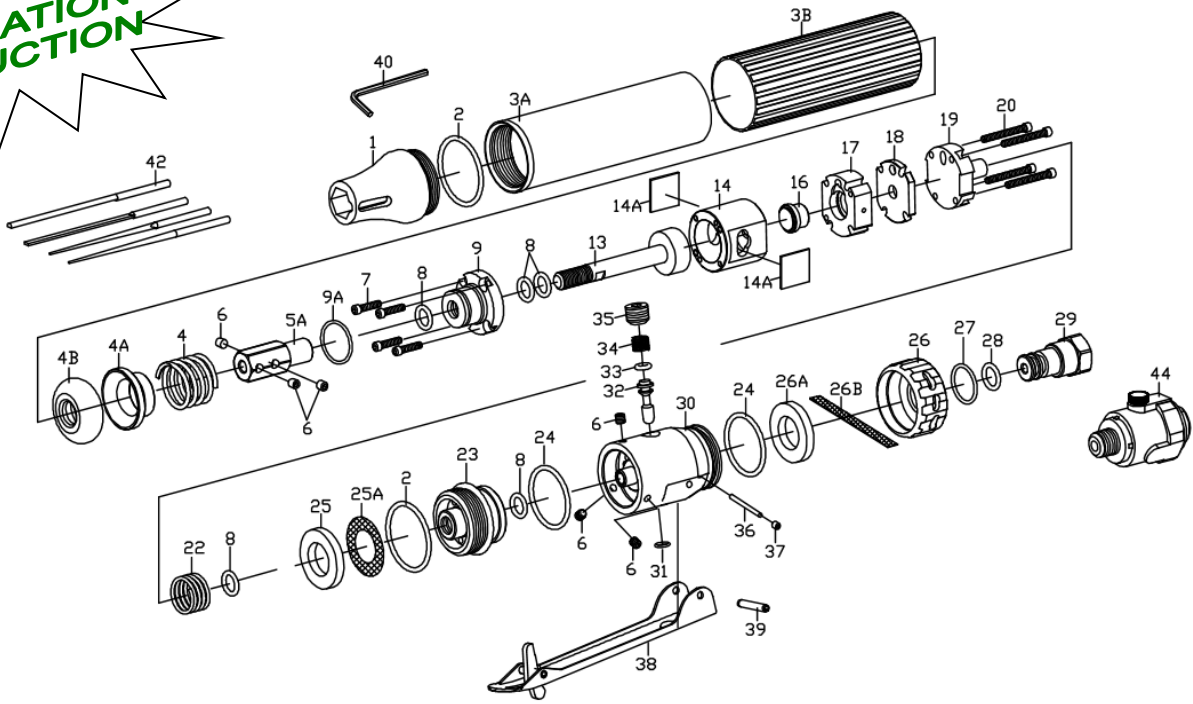


ZF-10MTE Finishing Air File

**VIBRATION
REDUCTION**



ZF-10MTE Finishing Air File

TECHNICAL DATA	Operating Air Pressure bar(psi)	: 6.2 (90)
	Strokes Per Minute @90psi B.P.M.	: 9,000
	Stroke Length mm	: 10
	Avg. Air Consumption cfm(l/min)	: 3.89 (110)
	Air Inlet Size inch-NPT/PT	: 1/4
	Min. Hose Size inch	: 3/8
	Net Weight kgs(lbs)	: 0.33 (0.73)
	Sound Pressure dBA	: 71
	Vibration m/s ²	: 4.6
	Standard Accessories Include	: 1 pc of 2.5mm Hex Wrench
		: 1 pc each of Φ 5mm diameter shank regular files - rectangular, round, half round, triangular

PARTS LIST

Index	Part #	Description	Index	Part#	Description
1.	210M102	Front Head	25A.	210M706	Filter
2.	OR2225	O-Ring (2)	26.	311M105	Exhaust Deflector
3A.	210M101	Body	*26A.	210M705	Muffler
3B.	210M118T	Rubber Sleeve	26B.	210M716	Filter
4.	311M607	Spring	27.	OR1619	O-Ring
4A.	210M109	Spring Holder	*28.	OR0913	O-Ring
4B.	193426	Bumper	29.	311M702	Air Inlet Nipple
5A.	210M905	5mm File Holder	30.	210M107	Admission Valve Main Body
6.	HS00508005	Set Screw (6)	31.	OR0507	O-Ring
*7.	HC00305012E	Front Dowel Pin (4)	32.	311M602	Valve Stem
*8.	OR0812	O-Ring (4)	33.	OR0307	O-Ring
9.	210M403	Cylinder Head Ass'y	34.	318603	Spring
9A.	OR1518	O-Ring	35.	HS01802808	Set Screw
13.	210M402	Piston Ass'y	36.	PR2012	Front Dowel Pin
14.	311M401	Cylinder	37.	HS00305003	Set Screw
*14A.	210M715	Muffler	38.	316611	Safety Lever Ass'y
16.	314302	Automatic Valve	39.	SP3020	Spring Pin(3x20)
17.	311M301	Valve Chest	40.	201925	2.5mm Hex Wrench
18.	311M303	Valve Seat	42.	325901	5mm Shank File-Rectangular
19.	210M304	Valve Case		325902	5mm Shank File-Round
*20.	HC00305024E	Rear Dowel Pin (4)		325903	5mm Shank File-Half Round
22.	315608	Spring		325904	5mm Shank File-Triangular
23.	210M104	Air Inlet	44.	CA-1025B	1/4" Mini Oiler
24.	OR2630	O-Ring (2)			
*25.	210M725	Muffler			