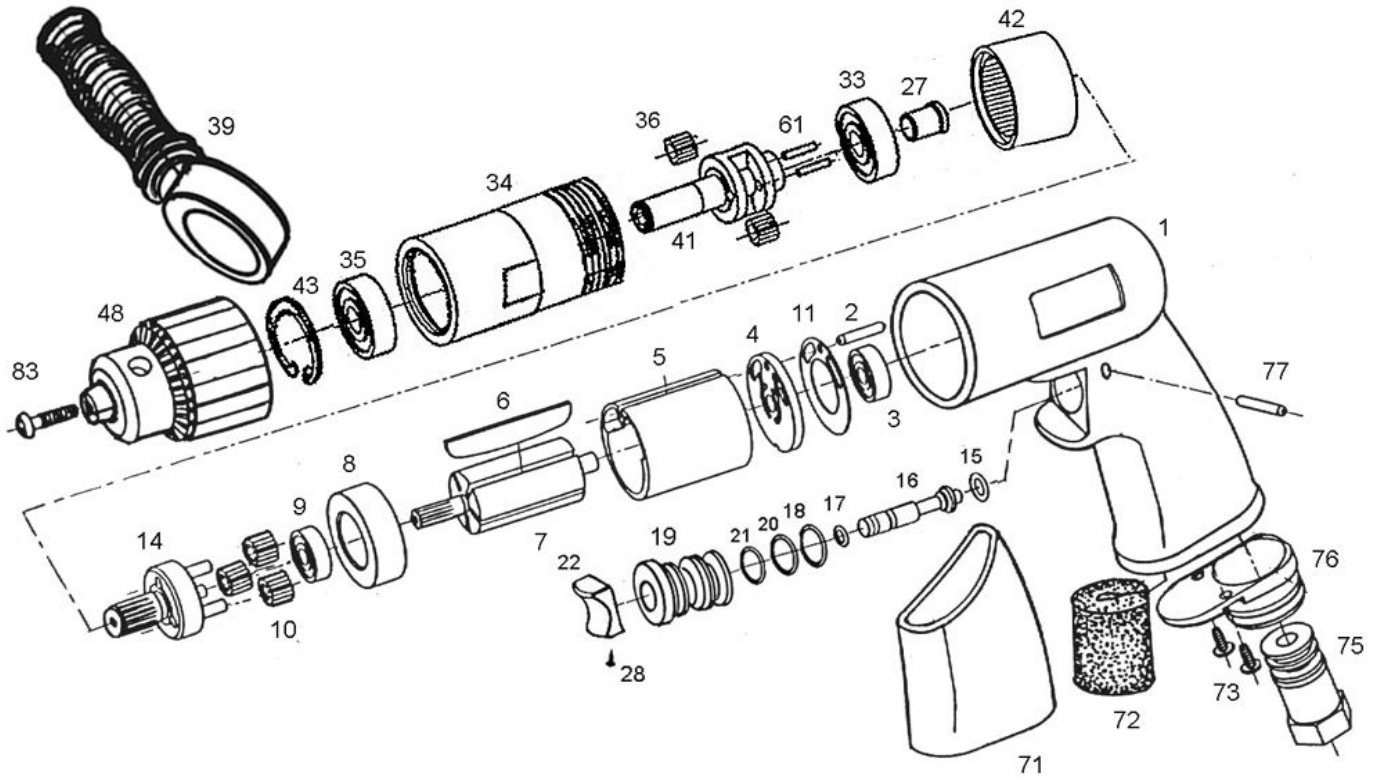


ZD600 1/2" Industrial Air Drill



ZD600 1/2" Industrial Air Drill

TECHNICAL DATA

Capacity: 1/2(13) inch(mm)
 Spindle Size: 3/8 " -24
 Free Speed: 600 R.P.M.
 Avg. Air Cons: 5(141) cfm(l/min)

Net Weight: 3.8(1.7) lbs(kgs)
 Overall Length: 230 mm
 Air Inlet Size: 1/4 inch-NPT/PT
 Min. Hose Size: 3/8(10) inch(mm)

PARTS LIST

Index	Part #	Description	Q'ty	Index	Part #	Description	Q'ty
1	ZD600-01	Motor Housing	1	34	ZD600-34	Clamp Housing	1
2	ZD600-02	Pin	1	35	ZD600-35	Ball Bearing	1
3	ZD600-03	Ball Bearing	1	36	ZD600-36	Planet Gear (14T)	2
4	ZD600-04	Rear Plate	1	41	ZD600-41	Working Spindle	1
5	ZD600-05	Cylinder	1	42	ZD600-42	Internal Gear (43T)	1
6	ZD600-06	Rotor Blade	5	43	ZD600-43	Retainer Ring	1
7	ZD600-07	Rotor (8T)	1	61	ZD600-61	Planet Pin	2
8	ZD600-08	Front Plate	1	71	ZD600-71	Rubber Sleeve	1
9	ZD600-09	Ball Bearing	1	72	ZD600-72	Muffler	1
10	ZD600-10	Planet Gear(18T)	3	73	ZD600-73	Screw	2
11	ZD600-11	Motor Gasket	1	75	ZD600-75	Air Inlet Bushing	1
14	ZD600-14	Rear Cage (15T)	1	76	ZD600-76	Diffuser Exhaust	1
15	ZD600-15	O-Ring (3.8X19)	1	77	ZD600-77	Pin	1
16	ZD600-16	Valve Stem	1	83	ZD600-83	Chuck Screw	1
17	ZD600-17	O-Ring (3X1.5)	1	39	ZD600-39	Handle Ass'y	1
18	ZD600-18	O-Ring	1				
19	ZD600-19	Reverse Bushing	1				
20	ZD600-20	O-Ring	1				
21	ZD600-21	O-Ring	1				
22	ZD600-22	Trigger	1				
27	ZD600-27	Bushing	1				
28	ZD600-28	Screw	1				
33	ZD600-33	Ball Bearing	1				
				48	Optional ZD600-48	1/2" Drill Chuck (1/2"- 20)	1