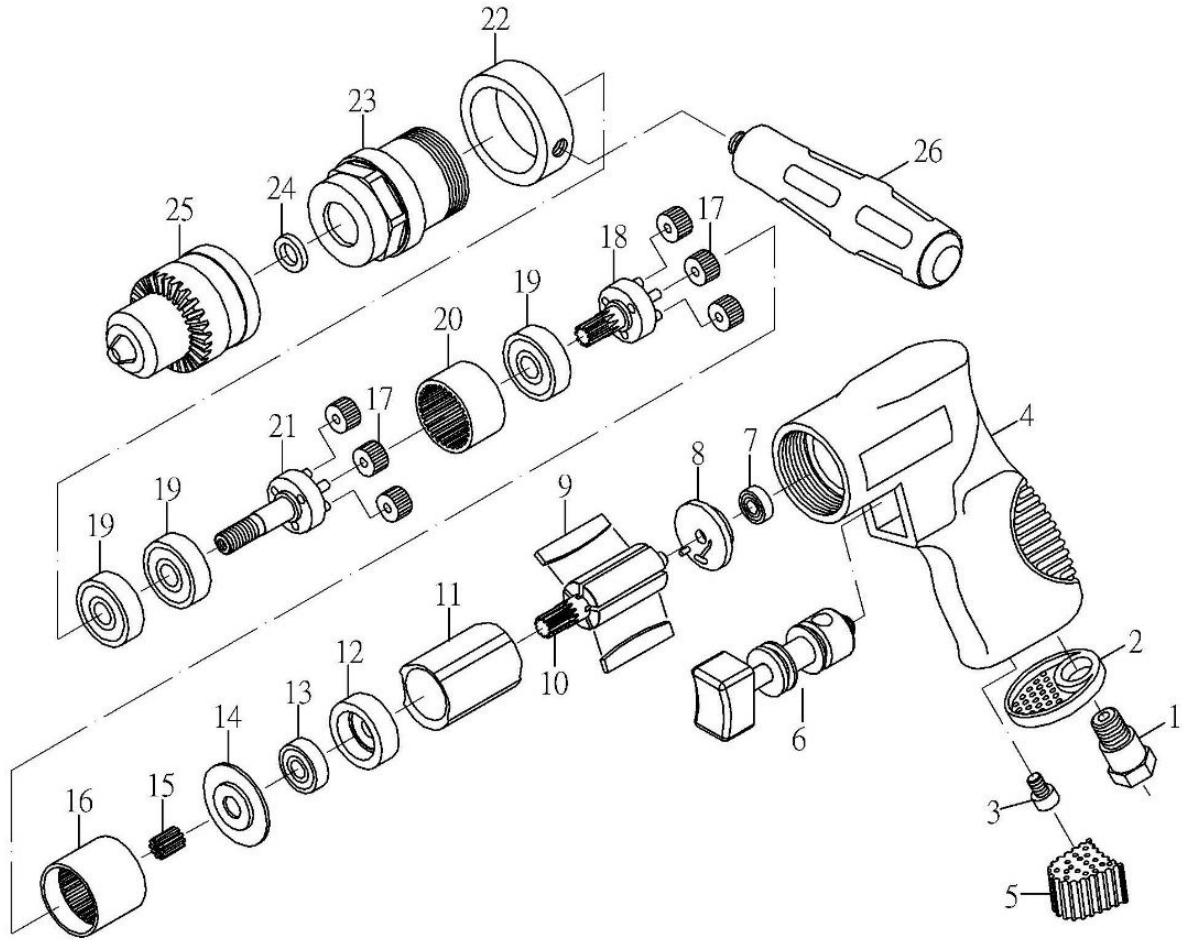


ZD323P 1/2" Air Drill



ZD323P 1/2" Air Drill

TECHNICAL

DATA

Chuck Size: 1/2(13) inch(mm)
 Spindle Thread: 3/8"-24
 Net Weight: 2.6(1.2)lbs(kgs)
 Length: 9(230)inch(mm)

Free Speed: 900rpm
 Air Inlet Size: 1/4 inch-NPT/PT
 Min. Hose Size: 3/8(10)inch(mm)
 Avg. Air Cons.: 3.7 cfm

PARTS LIST

Index	Part #	Description	Q'ty	Index	Part #	Description	Q'ty
1	ZD323P-01	AIR INLET	1	14	ZD323P-14	WASHER	1
2	ZD323P-02	EXHAUST SLEEVE	1	15	ZD323P-15	GEAR	1
3	ZD323P-03	SCREW	1	16	ZD323P-16	GEAR LINK	1
4	ZD323P-04	HOUSING	1	17	ZD323P-17	GEAR	6
5	ZD323P-05	MUFFLER	1	18	ZD323P-18	GEAR PLATE	1
6	ZD323P-06	VALVE STEM SET	1	19	ZD323P-19	BEARING	3
7	ZD323P-07	BALL BEARING	1	20	ZD323P-20	GEAR LINK	1
8	ZD323P-08	REAR PLATE SET	1	21	ZD323P-21	SHAFT	1
9	ZD323P-09	ROTOR BLADE	5	22	ZD323P-22	HANDLE LINK	1
10	ZD323P-10	ROTOR	1	23	ZD323P-23	CLAMP NUT	1
11	ZD323P-11	CYLINDER	1	24	ZD323P-24	WASHER	1
12	ZD323P-12	FRONT END PLATE	1	25	ZD323P-25	1/2" CHUCK	1
13	ZD323P-13	BEARING	1	26	ZD323P-26	HANDLE	1