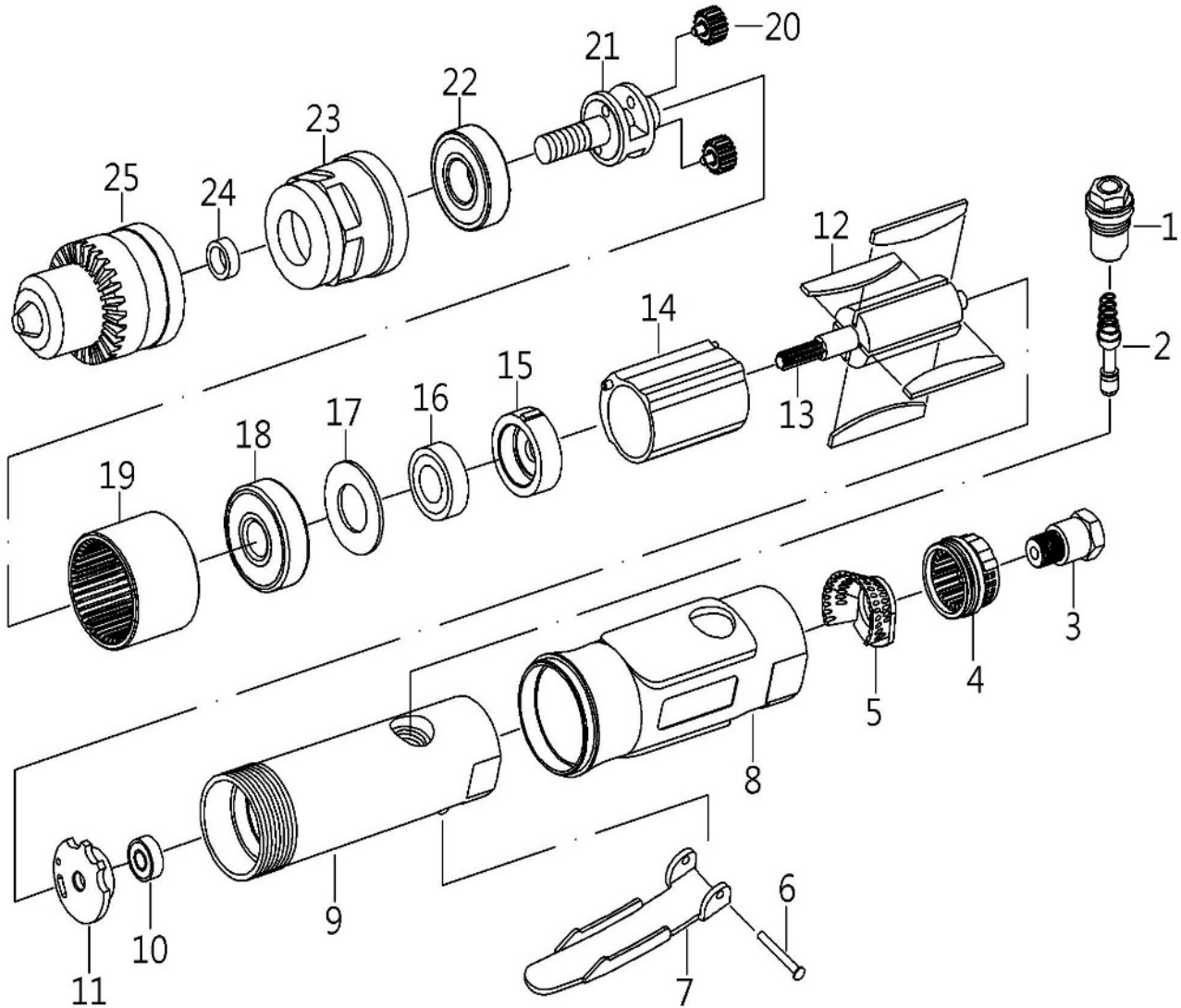


ZAD-376P 3/8" Air Drill



ZAD-376P 3/8" Air Drill

TECHNICAL

DATA

Chuck Size: 3/8(10)in.(mm)
 Spindle Thread: 3/8"-24in.
 Net Weight: 1.8(0.8)lbs(kgs)
 Length: 8.8(225)in.(mm)

Free Speed : 3600 R.P.M.
 Air Inlet Size : 1/4 inch-NPT/PT
 Min. Hose Size : 3/8(10) inch(mm)
 Avg. Air Cons. : 3.7 cfm

PARTS LIST

Index	Part #	Description	Q'ty	Index	Part #	Description	Q'ty
1	ZAD-376P-01	REGULATOR SET	1	14	ZAD-376P-14	CYLINDER SET	1
2	ZAD-376P-02	VALVE STEM SET	1	15	ZAD-376P-15	FRONT PLATE	1
3	ZAD-376P-03	AIR INLET	1	16	ZAD-376P-16	BEARING	1
4	ZAD-376P-04	EXHAUST SLEEVE SET	1	17	ZAD-376P-17	WASHER	1
5	ZAD-376P-05	CONE MUFFLER	1	18	ZAD-376P-18	BEARING	1
6	ZAD-376P-06	PIN	1	19	ZAD-376P-19	GEAR LINK	1
7	ZAD-376P-07	LEVER	1	20	ZAD-376P-20	IDLER GEAR SET	2
8	ZAD-376P-08	PROTECTING RUBBER	1	21	ZAD-376P-21	GEAR PLATE	1
9	ZAD-376P-09	HOUSING	1	22	ZAD-376P-22	BEARING	1
10	ZAD-376P-10	BEARING	1	23	ZAD-376P-23	CLAMP NUT	1
11	ZAD-376P-11	REAR PLATE	1	24	ZAD-376P-24	WASHER	1
12	ZAD-376P-12	ROTOR BLADE	4	25	ZAD-376P-25	3/8" CHUCK	1
13	ZAD-376P-13	ROTOR	1				