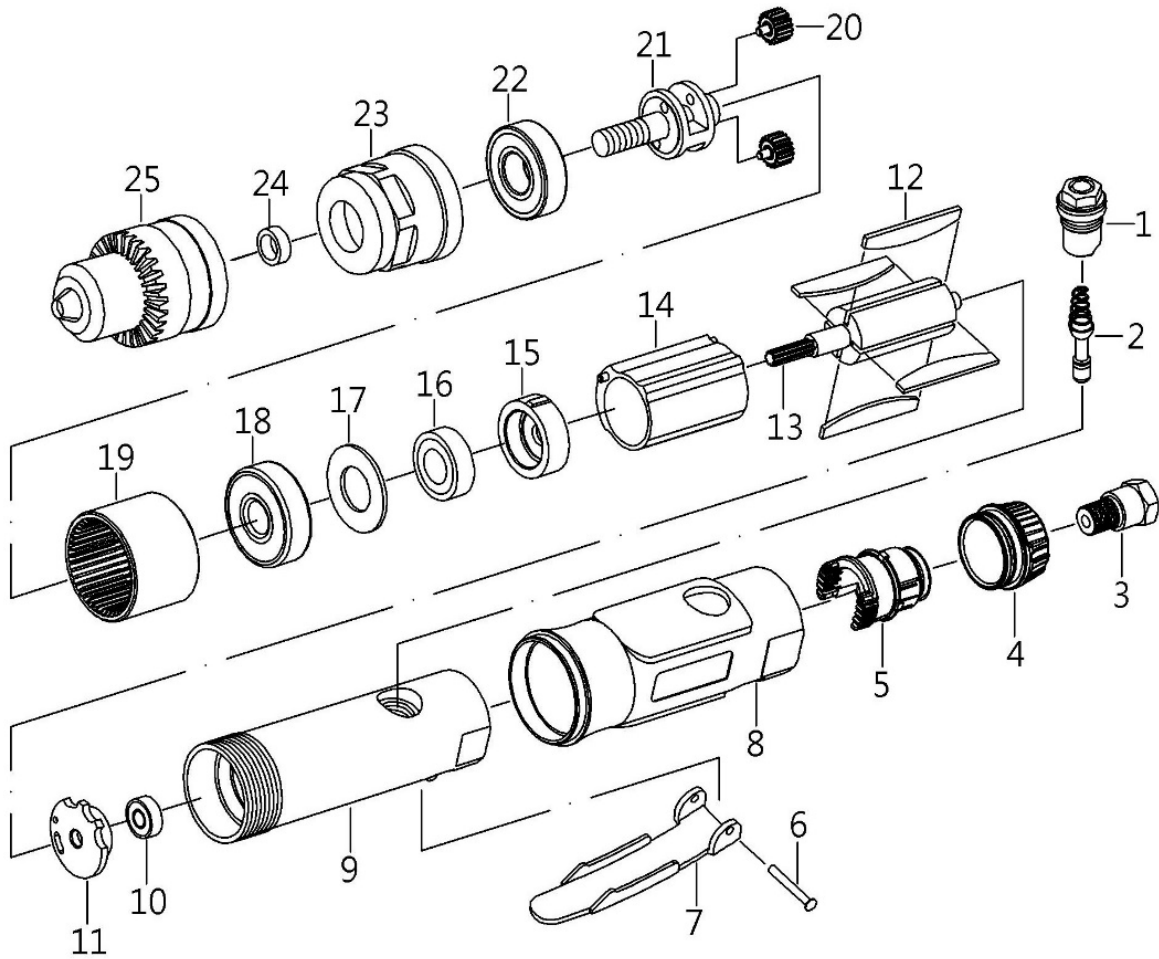


ZAD-356P 3/8" Air Drill



ZAD-356P 3/8" Air Drill

TECHNICAL

DATA

Chuck Size: 3/8(10) inch(mm)
 Spindle Thread: 3/8 " -24
 Net Weight: 1.8(0.8) lbs(kgs)
 Length: 8.8(225) in.(mm)

Free Speed: 2600 rpm
 Air Inlet Size: 1/4 inch-NPT/PT
 Min. Hose Size: 3/8(10) inch(mm)
 Avg. Air Cons.: 3.7 cfm

PARTS LIST

Index	Part #	Description	Q'ty	Index	Part #	Description	Q'ty
1	ZAD-356P-01	REGULATOR SET	1	14	ZAD-356P-14	CYLINDER SET	1
2	ZAD-356P-02	VALVE STEM SET	1	15	ZAD-356P-15	FRONT PLATE	1
3	ZAD-356P-03	AIR INLET	1	16	ZAD-356P-16	BEARING	1
4	ZAD-356P-04	EXHAUST SLEEVE SET	1	17	ZAD-356P-17	WASHER	1
5	ZAD-356P-05	CONE MUFFLER	1	18	ZAD-356P-18	BEARING	1
6	ZAD-356P-06	PIN	1	19	ZAD-356P-19	THREAD RING GEAR	1
7	ZAD-356P-07	LEVER	1	20	ZAD-356P-20	IDLER GEAR SET	2
8	ZAD-356P-08	PROTECTING RUBBER	1	21	ZAD-356P-21	GEAR PLATE	1
9	ZAD-356P-09	HOUSING	1	22	ZAD-356P-22	BEARING	1
10	ZAD-356P-10	BEARING	1	23	ZAD-356P-23	CLAMP NUT	1
11	ZAD-356P-11	REAR PLATE	1	24	ZAD-356P-24	WASHER	1
12	ZAD-356P-12	ROTOR BLADE	4	25	ZAD-356P-25	3/8" CHUCK	1
13	ZAD-356P-13	ROTOR	1				